

# INSTALLATION INSTRUCTIONS

## 411-LED Wall Sconce

### WS-41119/WS-41125/WS-41137

# dweLED

**CAUTION:** To prevent electrical shock, ensure electricity has been turned off at the circuit breaker before beginning.

- Read all instructions before installing.
- System is intended for installation by a licensed electrician in accordance with the National Electrical Code (NEC) and local regulations.
- When handling the fixture, do not apply pressure to the LEDs. Hold the fixture by the base only.
- Retain installation instructions for future maintenance reference.

**WARNING:** All parts must be used as indicated in these instructions. This product is designed for use only with the supplied parts and/or accessories designated for use by dweLED. Substitution of parts or accessories not designated for use with this product by dweLED could result in personal injury or property damage, and will void the warranty. Contact an authorized dealer or the manufacturer if any parts are damaged or missing.

**MAINTENANCE NOTE:** Coastal conditions may cause mineral and residue build-up on the fixture. We recommend that customers in coastal areas clean all external surfaces of the fixture once every two weeks with a wet cloth.

**MISE EN GARDE:** Pour éviter tout choc électrique, assurez-vous que le disjoncteur soit mis hors tension avant de commencer.

- Lisez toutes les instructions avant l'installation.
- Le système doit être installé par un électricien licencié conformément au code national de l'électricité (NEC), et également aux règlements locaux.
- Lors de la manipulation du luminaire, n'appuyez pas sur les LED. Tenez-le uniquement par la base.

**ATTENTION:** Toutes les pièces doivent être utilisées comme indiqué dans ces instructions. Ce produit est conçu pour être utilisé seulement avec les pièces et/ou accessoires fournis pour être utilisés avec les produits Modern Forms. Remplacer des pièces ou accessoires non conçus pour ce produit Modern Forms pourrait causer des dommages corporels ou matériels et pourrait également causer l'annulation de la garantie. Veuillez contacter un revendeur autorisé ou le fabricant si des pièces manquent ou sont endommagées.

**NOTE D'ENTRETIEN:** Les conditions côtières peut causer une accumulation de minéraux et de résidus sur le luminaire. Nous recommandons aux clients qui résident dans les zones côtières de nettoyer toutes les surfaces externes du luminaire une fois toutes les deux semaines avec un chiffon humide.

## HARDWARE

**A**



WireConnector  
Qty: 3pcs+1Extra

**B**



Mounting Screw  
Qty:1 Extra

**C**



Junction Box Screw  
Qty: 2pcs+1 Extra

**D**



Mounting Ring  
Qty:1 pc

**E**



Conversion Plate  
Qty:1 pc

**F**



AssemblyScrew  
Qty:2pcs+1 Extra

dweLED.com  
Phone (800) 526.2588  
Fax (800) 526.2585

Headquarters/Eastern Distribution Center  
44 Harbor Park Drive  
Port Washington, NY 11050

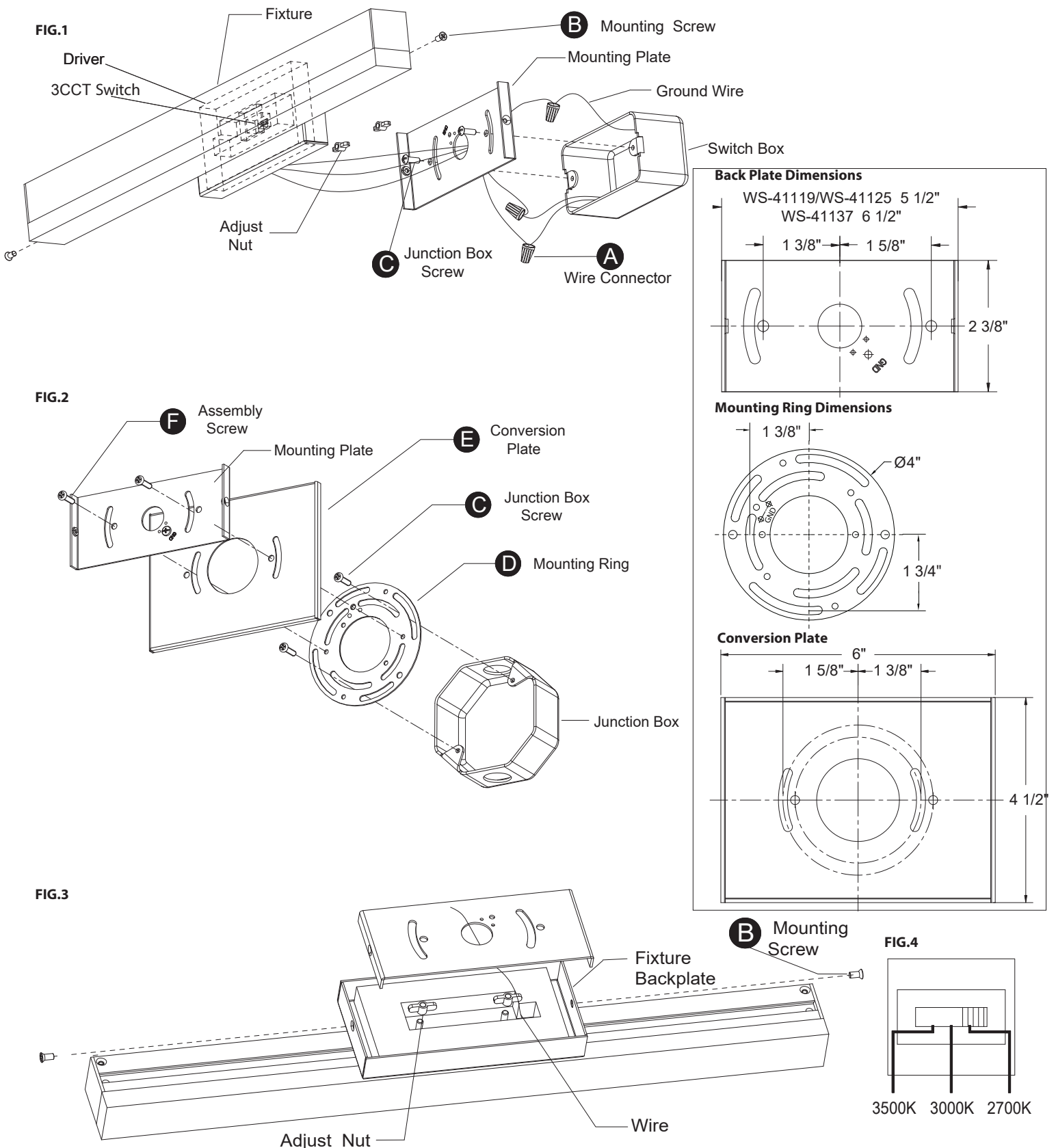
Central Distribution Center  
1600 Distribution Ct  
Lithia Springs, GA 30122

Western Distribution Center  
1750 Archibald Avenue  
Ontario, CA 91760



INSTALLATION INSTRUCTIONS  
**411-LED Wall Sconce**  
 WS-41119/WS-41125/WS-41137

dweLED



dweLED.com  
 Phone (800) 526.2588  
 Fax (800) 526.2585

Headquarters/Eastern Distribution Center  
 44 Harbor Park Drive  
 Port Washington, NY 11050

Central Distribution Center  
 1600 Distribution Ct  
 Lithia Springs, GA 30122

Western Distribution Center  
 1750 Archibald Avenue  
 Ontario, CA 91760



# INSTALLATION INSTRUCTIONS

## 411-LED Wall Sconce

### WS-41119/WS-41125/WS-41137



#### PREPARATION

1. Shut off the power at the circuit breaker and remove existing fixture, including the crossbar.
2. Carefully unpack your new fixture and lay out all the parts on a clear area. Be careful not to lose any small parts necessary for installation.

#### INSTALLATION

##### MOUNT ON SWITCH BOX (Fig. 1)

3. Remove the mounting screws (B) from the fixture.
4. The lamp can switch between three color temperatures(2700k-3000k-3500k), which can be adjusted to your preference with the switch in the canopy (Fig.4).
5. Secure the mounting plate to the switch box using the junction box screws (C). The side of the mounting plate marked "GND" must face out.
6. Connect the driver input wire to switch box wires as shown in Fig. 5 , making sure that all wire connectors (A) are secured. If your outlet box has a green or bare copper ground wire, connect the fixture's ground wire to it. Otherwise, connect the fixture's ground wire directly to the back plate using the GND screw provided. After wires are connected, tuck them carefully inside the switch box.
7. The back plate location for this fixture is adjustable as shown in Fig3.  
First, loosen both adjustable nuts by turning counterclockwise.  
Second, adjust the back plate to your desired location.  
Third, pull and tighten the electrical wire.  
Lastly, secure the back plate by turning both adjustable nuts clockwise.
8. Place the fixture over the mounting plate, and secure it with mounting screws (B).

#### OR

##### MOUNT ON JUNCTION BOX (Fig. 2)

3. Remove the mounting screws (B) from the fixture.
4. The lamp can switch between three color temperatures(2700k-3000k-3500k), which can be adjusted to your preference with the switch in the canopy (Fig.4).
5. Secure the mounting ring (D) to the junction box using the junction box screws (C). Make sure the two holes (Spacing 2-3/4") are horizontal as shown in Fig. 2 . The side of the mounting plate marked "GND" must face out.
6. Connect the driver input wire to junction box wires as shown in Fig. 5 , making sure that all wire connectors (A) are secured. If your outlet box has a green or bare copper ground wire, connect the fixture's ground wire to it. Otherwise, connect the fixture's ground wire directly to the back plate using the GND screw provided. After wires are connected, tuck them carefully inside the junction box.
7. Secure the mounting plate and conversion plate (E) to the mounting ring(D) with assembly screw (F).
8. The back plate location for this fixture is adjustable as shown in Fig3.  
First, loosen both adjustable nuts by turning counterclockwise.  
Second, adjust the back plate to your desired location.  
Third, pull and tighten the electrical wire.  
Lastly, secure the back plate by turning both adjustable nuts clockwise.
9. Place the fixture over the mounting plate, and secure it with mounting screws (B).

Fig. 5 Wiring

