

Fixture Type: _____

Catalog Number: _____

Project: _____

Location: _____

Atlantis Outdoor Wall Sconce

| Model & Size | Color Temp & CRI | Watt | LED Lumens | Delivered Lumens | Finish |
|--------------|------------------|------|------------|------------------|---------------------|
| WS-W27106 6" | 3000K 90 | 9W | 181 | 113 | AL Brushed Aluminum |
| | 3500K 90 | 9W | 207 | 130 | BK Black |
| | 4000K 90 | 9W | 180 | 113 | WT White |

Example: **WS-W27106-30-AL**

DESCRIPTION

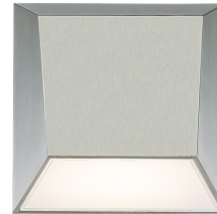
Searching the depths. Illuminating all that matters.

FEATURES

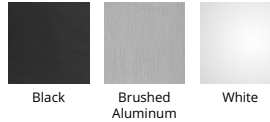
- 3CCT (3000K/3500K/4000K) selectable switch
- ACLED driverless technology
- 5 year warranty

SPECIFICATIONS

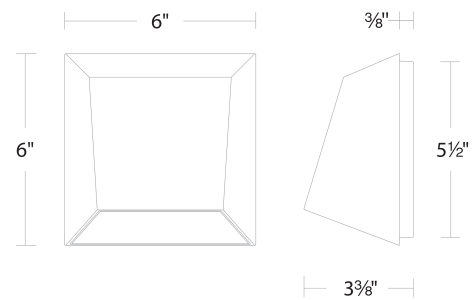
| | |
|---------------|--|
| Color Temp: | 4000K, 3500K, 3000K |
| Input: | 120 VAC, 50/60Hz |
| CRI: | 90 |
| Dimming: | ELV: 100-10%, TRIAC: 100-10% |
| Rated Life: | 54000 Hours |
| Mounting: | Can be mounted on wall in all orientations |
| Standards: | ETL, cETL, IP65 |
| | Wet Location Listed |
| Construction: | Aluminum body, tempered glass diffuser |



FINISHES



LINE DRAWING



WS-W27106