

INSTALLATION INSTRUCTION

H / L / J Track Wall Mount Suspension Bracket

TBKT

WAC LIGHTING
Responsible Lighting®

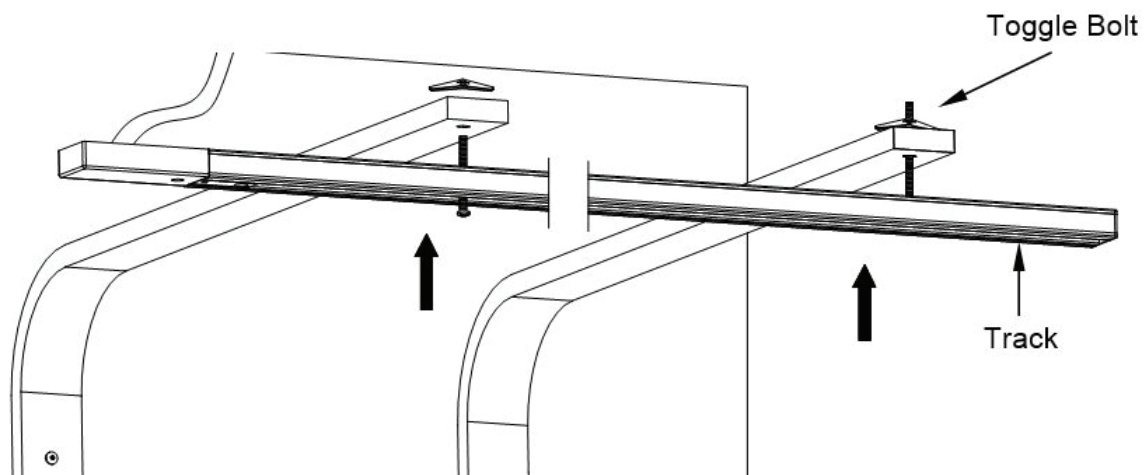
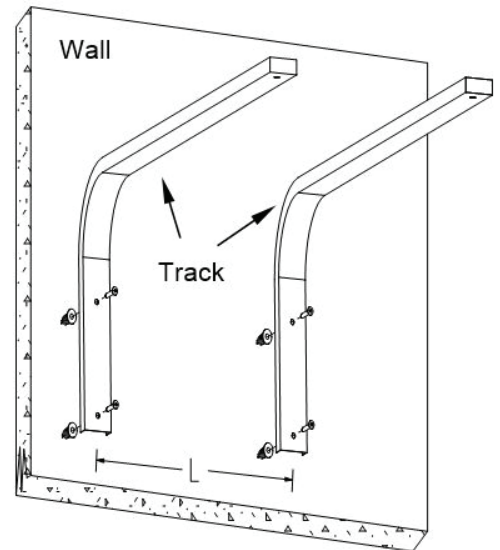
SAFETY INSTRUCTIONS:

1. Read all of these instructions before installing the track system.
2. Turn off power at main switch before installing or modifying the system.
3. Do not install within six inches of any curtain or combustible materials.
4. Do not install less than 5 feet above a floor.
5. Do not install in damp or wet locations.
6. Do not connect a track to more than one branch circuit.
7. Do not exceed 15lbs maximum weight for every 4 feet track length.
8. All installation shall be in accordance with NEC and all local codes.

MOUNTING STEPS

The track bracket extends 24 inches from the wall, for use with all line voltage tracks of WAC. Powered through a live end connector. Use a minimum of two brackets for 2 or 4 feet track, and three for 6 or 8 feet track.

1. Make sure power is off.
2. Hold the track bracket to the wall and mark the position of mounting holes. Space between brackets should align with pre-drilled holes on the track.
3. Secure the plastic wall anchor into the marked location of the wall.
4. Hold the track bracket vertically and secure on wall with screws provided.
5. Raise the track to brackets and secure track to bracket with toggle bolts provided.
6. If additional holes in track are needed, drill 3/16 inch holes through the centerline of track (Additional holes must be at least 6 inches from end of track.).
7. Fully tighten toggle bolts after all electrical connections are made.



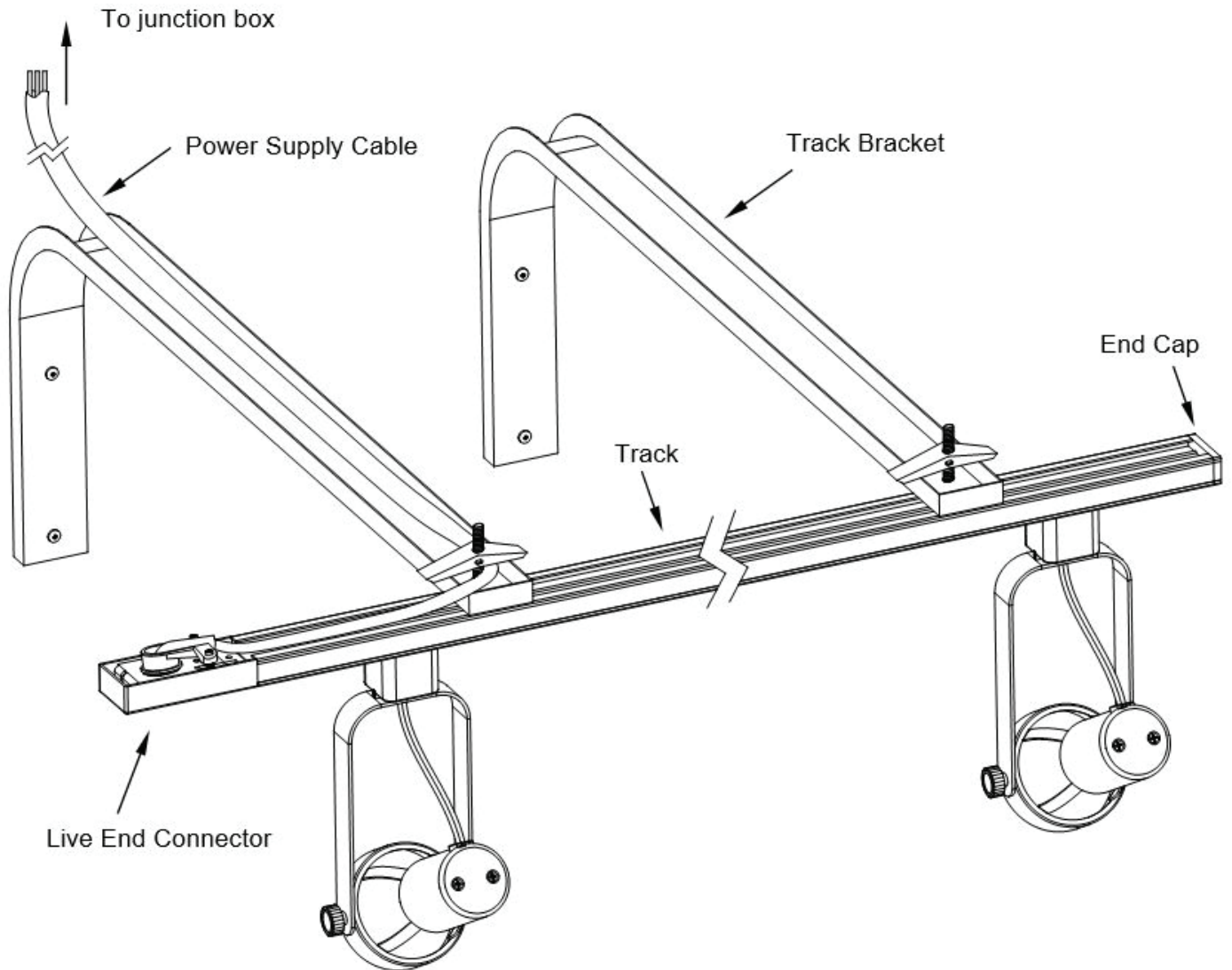
WAC Lighting
www.waclighting.com
Phone (800) 526.2588 • Fax (800) 526.2585

Headquarters/Eastern Distribution Center
44 Harbor Park Drive • Port Washington, NY 11050
Phone (516) 515.5000 • Fax (516) 515.5050

Western Distribution Center
1750 Archibald Ave • Ontario, CA 91761
Phone (800) 526.2588 • Fax (800) 526.2585

INSTALLATION INSTRUCTION
H / L / J Track Wall Mount Suspension Bracket
TBKT

WAC LIGHTING
Responsible Lighting®



WAC Lighting
www.waclighting.com
Phone (800) 526.2588 • Fax (800) 526.2585

Headquarters/Eastern Distribution Center
44 Harbor Park Drive • Port Washington, NY 11050
Phone (516) 515.5000 • Fax (516) 515.5050

Western Distribution Center
1750 Archibald Ave • Ontario, CA 91761
Phone (800) 526.2588 • Fax (800) 526.2585