

INSTALLATION INSTRUCTION

Current Limiter - Surface Mount W Track

WEDL, WHEDL, WEDR, WHEDR

WAC LIGHTING

Responsible Lighting®

SAFETY INSTRUCTIONS:

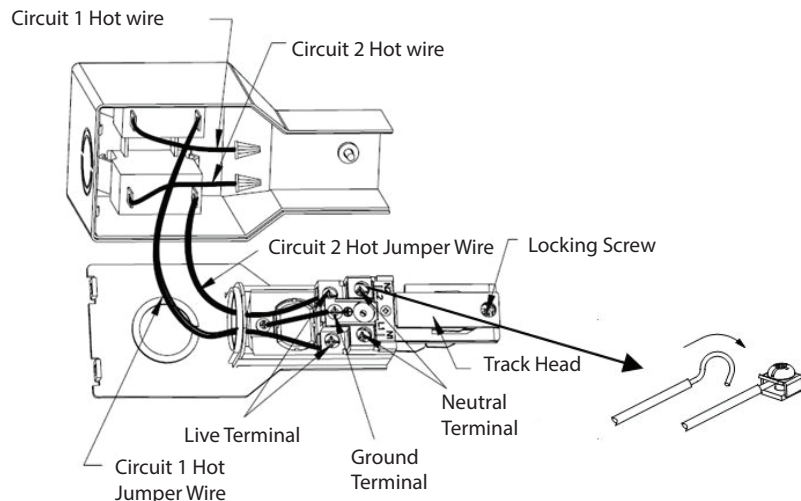
- Please read through the entire Instruction prior to installation.
- Installation must conform to this instruction, and in accordance with National Electrical Code, and local code authority.
- Turn off power at main switch before installing any rack, or track device.
- Limit circuit load using appropriate W Track breaker.
- Device is not intended to be used as a conduit

OVERVIEW:

For connecting W Track Line Connector WEDL/WHEDL/WEDR/WHEDR to a 4" junction box, or conduit from a solid or grid runner ceiling.

ELECTRICAL CONNECTIONS:

- Connector is polarized. Note the polarity indicator of the track and accessories.
- Connector Rating =20Amps per circuit. 120/277v, Single phase 60Hz.
- All wiring to terminals of circuit breaker and two wiring to live terminals of track feeds are factory installed. Attach hot wire by nut (supplied). Attach ground wire and white neutral wire tightly to the corresponding screw terminals. The single conductor is bent around the screw in a 3/4 loop, insert the wires to the corresponding terminals (see fig. below) and secure tightly with a screw.



WAC Lighting
www.waclighting.com
Phone (800) 526.2588 • Fax (800) 526.2585

Headquarters/Eastern Distribution Center
44 Harbor Park Drive • Port Washington, NY 11050
Phone (516) 515.5000 • Fax (516) 515.5050

Western Distribution Center
1750 Archibald Ave • Ontario, CA 91761
Phone (800) 526.2588 • Fax (800) 526.2585

INSTALLATION INSTRUCTION

Current Limiter - Surface Mount W Track

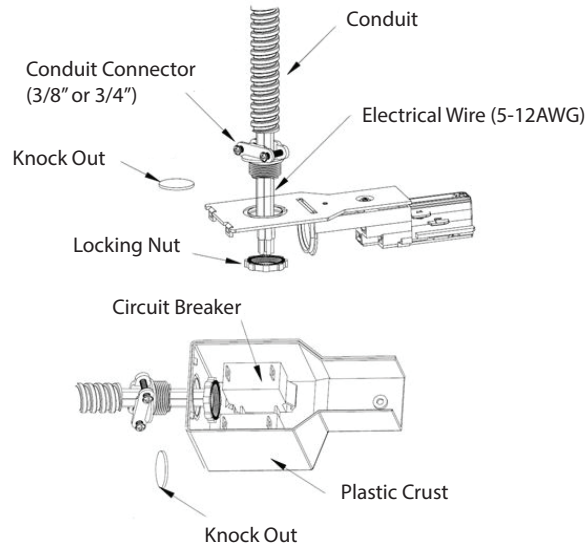
WEDL, WHEDL, WEDR, WHEDR

WAC LIGHTING

Responsible Lighting®

A: INSTALLING POWER LIMITER TO CONDUIT OR GRID RUNNER CEILING :

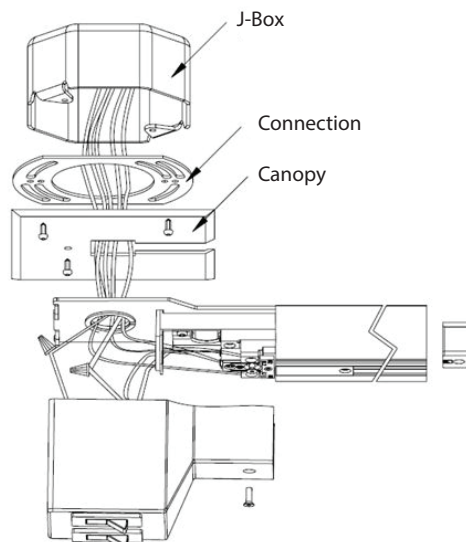
1. Remove Cover.
2. Remove appropriate knockout in Top Plate or Plastic Crust, and feed 3/8" or 1/2" Conduit and Supply leads into Top Plate or Plastic Crust. Fasten Conduit to top plate or Plastic Crust.
3. Attach wires per electrical connection instructions.
4. Attach Track to Current Limiter. Be sure to check for proper polarity between track and switch. Also ensure all 5 contact plates are properly inserted into each individual track circuit.
5. Replace Cover.
6. Secure the track to the ceiling.



B: INSTALLING CURRENT LIMITER TO 4" SPACE OCTAGONAL J-BOX

Note: Center of track must coincide with center of J-Box

1. Remove appropriate knockout in Top Plate , and feed 3/8" or 1/2" Conduit and Supply leads into Top Plate. Fasten Conduit to top plate.
2. Feed Supply wires through knockout hole. Attach wires per electrical connection instructions.
3. Attach Track to Current Limiter. Be sure to check for proper polarity between track and switch. Also ensure all 5 contact plates are properly inserted into each individual track circuit.
4. Replace Cover.
5. Secure the track to the ceiling.



WAC Lighting
www.waclighting.com
Phone (800) 526.2588 • Fax (800) 526.2585

Headquarters/Eastern Distribution Center
44 Harbor Park Drive • Port Washington, NY 11050
Phone (516) 515.5000 • Fax (516) 515.5050

Western Distribution Center
1750 Archibald Ave • Ontario, CA 91761
Phone (800) 526.2588 • Fax (800) 526.2585