

INVISIBLE TRIM HOUSING

2" Volta

WAC LIGHTING

Responsible Lighting®

SPECIFICATIONS

- Input:** Universal 120 - 277V AC 50/60 Hz
- Standards:** ETL & cETL, Chicago Plenum, IC-rated, Airtight (see below for list)
- Dimming:** Electronic Low Voltage (ELV): 100%-5%
0-10V: 100%-0%
Lutron Hi-Lume 1% Ecosystem Fade-to-Black option
- Emergency:** EM fixtures provided with integral Emergency battery back up with 24" lead wire remote test switch. Provides at least 90 minutes of 8W illumination during emergency operation.
- Mounting:** New construction housings included with universal mounting brackets and hanger bars
Ceiling cut out (Round): Ø 4 ¼"
Ceiling cut out (Square): 4 ¼" x 4 ¼"
See next page for ceiling thickness information

Fixture Type:

Catalog Number:

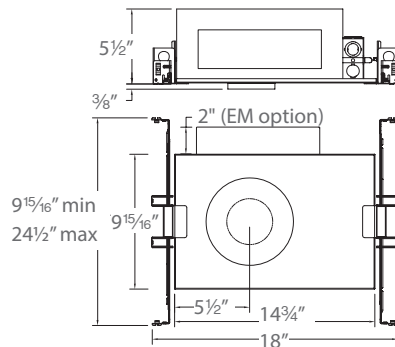
Project: _____

Location: _____

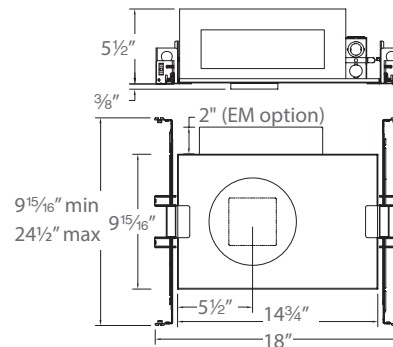
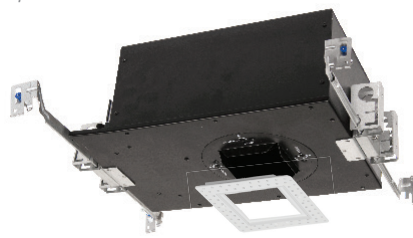
Construction: 20 Gauge cold rolled steel
Diecast spackle flange included

Warranty 5 year WAC Lighting product warranty

Round New Construction



Square New Construction



HOUSINGS

	Model	Power*	S	N, F, W, A	Rating	Driver	Emergency Backup	Compatible Trims
Round New Construction	R2RNL Airtight	15	10W	15W	IC rated	DEFAULT ELV, 0-10V L1 Lutron Hi-Lume 1%	EM Emergency backup battery (OPTIONAL)	R2RD2T
	R2RCL Airtight, Chicago Plenum							22
Square New Construction	R2SNL Airtight	15	10W	15W	IC rated	DEFAULT ELV, 0-10V L1 Lutron Hi-Lume 1%	EM Emergency backup battery (OPTIONAL)	R2SD2T
	R2SCL Airtight, Chicago Plenum							22

*Power consumption depends on beam angle of the trim.

R2 _____ - _____
Example: **R2RNL-15** or **R2RNL-15EM** (with Emergency backup battery)

Field Replaceable Driver

D-R2N3-15 Driver for 15W New Construction Hsg
D-R2N3-22 Driver for 22W New Construction Hsg

waclighting.com
Phone (800) 526.2588
Fax (800) 526.2585

Headquarters/Eastern Distribution Center
44 Harbor Park Drive
Port Washington, NY 11050

Central Distribution Center
1600 Distribution Ct
Lithia Springs, GA 30122

Western Distribution Center
1750 Archibald Avenue
Ontario, CA 91760

INVISIBLE TRIM HOUSING

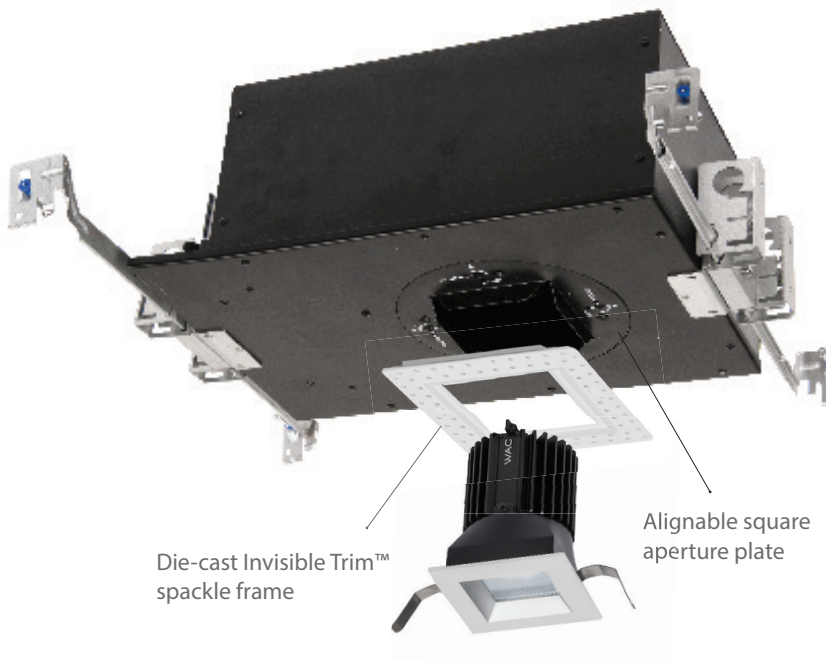
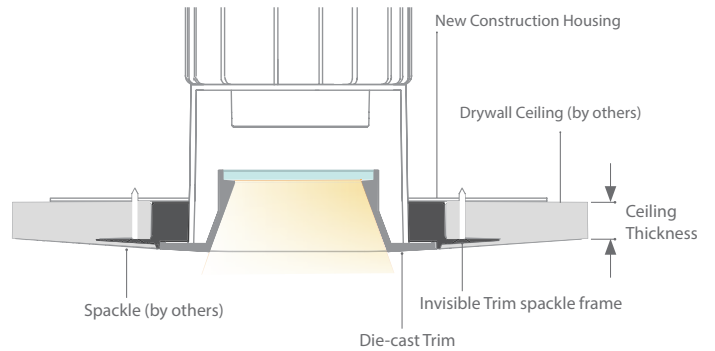
2" Volta

WAC LIGHTING

Responsible Lighting®

INVISIBLE TRIM™ INSTALLATION

Trim Model	Trim Description	Ceiling Thickness		
		1/2"	1"	1 1/2"
R2RD2T R2SD2T	<i>Downlight</i>	Yes	Yes	Yes
R2RD1T R2SD1T	<i>Shallow Regressed Downlight</i>	Yes	Yes	Yes
R2RAT R2SAT R2RPT R2SPT	<i>Adjustable/Pinhole</i>	Yes, to 45°	Yes, to 35°	Yes, to 20°
R2RWT R2SWT	<i>Wall Wash</i>	Yes	Yes	No



waclighting.com
Phone (800) 526.2588
Fax (800) 526.2585

Headquarters/Eastern Distribution Center
44 Harbor Park Drive
Port Washington, NY 11050

Central Distribution Center
1600 Distribution Ct
Lithia Springs, GA 30122

Western Distribution Center
1750 Archibald Avenue
Ontario, CA 91760