

INSTALLATION INSTRUCTION

791 –Indoor Wall Sconce

WS-79121/WS-79130

dweLED

CAUTION: To prevent electrical shock, ensure electricity has been turned off at the circuit breaker before beginning.

- Read all instructions before installing.
- System is intended for installation by a licensed electrician in accordance with the National Electrical Code (NEC) and local regulations.
- When handling the fixture, do not apply pressure to the LEDs. Hold the fixture by the base only.
- Retain installation instructions for future maintenance reference.

WARNING: All parts must be used as indicated in these instructions. This product is designed for use only with the supplied parts and/or accessories designated for use by dweLED. Substitution of parts or accessories not designated for use with this product by dweLED could result in personal injury or property damage, and will void the warranty. Contact an authorized dealer or the manufacturer if any parts are damaged or missing.

MAINTENANCE NOTE: Coastal conditions may cause mineral and residue build-up on the fixture. We recommend that customers in coastal areas clean all external surfaces of the fixture once every two weeks with a wet cloth.

MISE EN GARDE: Pour éviter tout choc électrique, assurez-vous que le disjoncteur soit mis hors tension avant de commencer.

- Lisez toutes les instructions avant l'installation.
- Le système doit être installé par un électricien licencié conformément au code national de l'électricité (NEC), et également aux règlements locaux.
- Lors de la manipulation du luminaire, n'appuyez pas sur les LED. Tenez-le uniquement par la base.

ATTENTION: Toutes les pièces doivent être utilisées comme indiqué dans ces instructions. Ce produit est conçu pour être utilisé seulement avec les pièces et/ou accessoires fournis pour être utilisés avec les produits dweLED. Remplacer des pièces ou accessoires non conçus pour ce produit dweLED pourrait causer des dommages corporels ou matériels et pourrait également causer l'annulation de la garantie. Veuillez contacter un revendeur autorisé ou le fabricant si des pièces manquent ou sont endommagées.

NOTE D'ENTRETIEN: Les conditions côtières peut causer une accumulation de minéraux et de résidus sur le luminaire. Nous recommandons aux clients qui résident dans les zones côtières de nettoyer toutes les surfaces externes du luminaire une fois toutes les deux semaines avec un chiffon humide.

HARDWARE

A



Wire Connector
Qty: 3pcs+1Extra

B



Mounting Screw
Qty: 1 Extra

C



Wood Screw
Qty: 2pcs+1 Extra

D



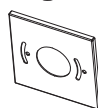
Plastic anchor
Qty: 2pcs+1 Extra

E



Spacer
Qty: 2pcs+1 Extra

F



Conversion plate
Qty: 1 pc

G



Mounting ring
Qty: 1 pc

H



Mounting screw
Qty: 2 pcs

I



Screw
Qty: 8pcs+1 Extra

dweLED.com
Phone (800) 526.2588
Fax (800) 526.2585

Headquarters/Eastern Distribution Center
44 Harbor Park Drive
Port Washington, NY 11050

Central Distribution Center
1600 Distribution Ct
Lithia Springs, GA 30122

Western Distribution Center
1750 Archibald Avenue
Ontario, CA 91760



INSTALLATION INSTRUCTION
791 –Indoor Wall Sconce
 WS-79121/WS-79130

dweLED

Fig. 1 MOUNTING ON SWITCH

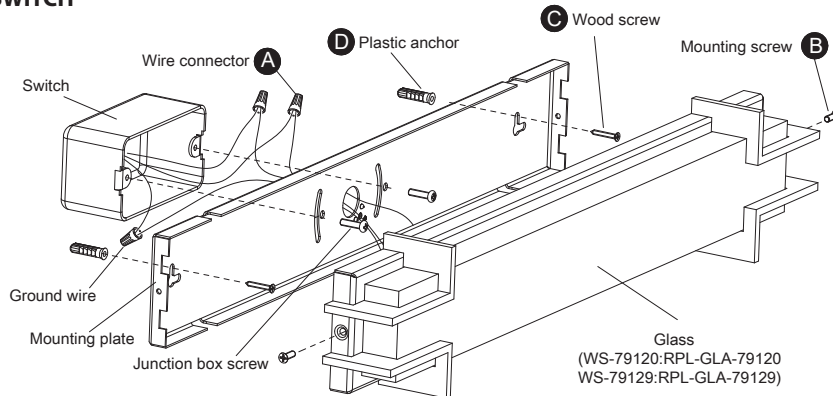


Fig. 2 MOUNTING ON JUNCTION BOX

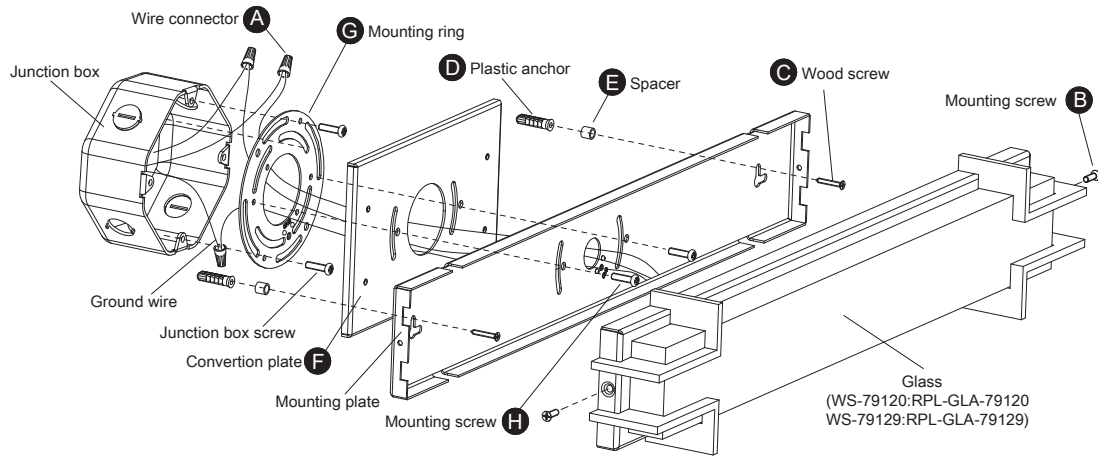
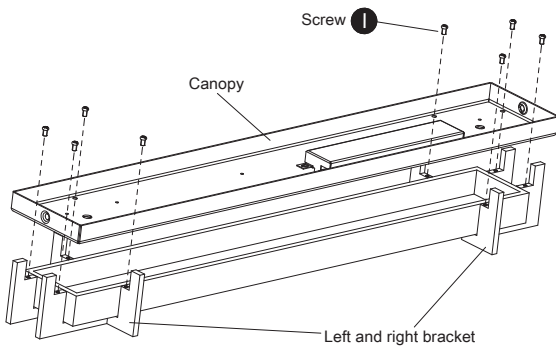
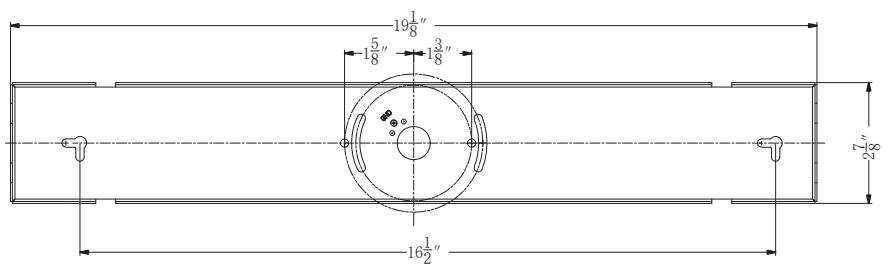


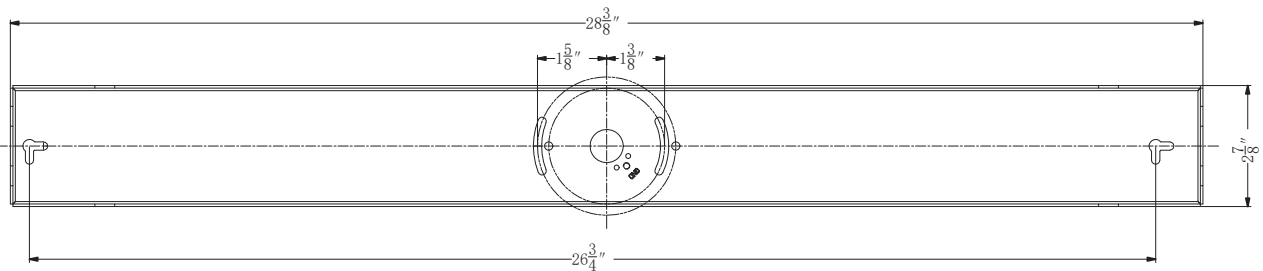
Fig. 3



**WS-79121
Back Plate Dimensions**



**WS-79130
Back Plate Dimensions**



dweLED.com
 Phone (800) 526.2588
 Fax (800) 526.2585

Headquarters/Eastern Distribution Center
 44 Harbor Park Drive
 Port Washington, NY 11050

Central Distribution Center
 1600 Distribution Ct
 Lithia Springs, GA 30122

Western Distribution Center
 1750 Archibald Avenue
 Ontario, CA 91760



INSTALLATION INSTRUCTION
791 –Indoor Wall Sconce
 WS-79121/WS-79130



PREPARATION

1. Shut off the power at the circuit breaker and remove existing fixture, including the crossbar.
2. Carefully unpack your new fixture and lay out all the parts on a clear area. Be careful not to lose any small parts necessary for installation.

MOUNTING THE FIXTURE

MOUNTING ON SWITCH BOX (Fig. 1)

3. Place the left and right brackets and glass as shown in the fig.3, then use small screws to fix the canopy and glass to the bracket (Fig.3).
4. Remove the mounting screw (B) from the canopy.
5. Drill holes in the wall aligned with the key-hole located in the mounting plate,insert the plastic anchor(D) to the wall.
6. Secure the mounting back plate to the junction box using standard junction box screws that comes with the junction box. Fasten the mounting back plate to the wall using the wood screw(C).

Note: (i) using any other non-original-manufacturer provided junction box screw may result in safety issue;

(ii) The side of the mounting plate marked "GND" must face out.

7. Connect the driver's input wires to junction box wires as shown (Fig. 2). Make sure that all wire connectors (A) are secure. If your outlet box has a green or bare copper ground wire, connect the driver's ground wire to it. Otherwise, connect the fixture's ground wire directly to the back plate using the GND screw provided. After wires are connected, tuck them carefully inside the junction box.
8. Secure the fixture to the mounting back plate using the mounting screw (B).

OR

MOUNTING ON JUNCTION BOX (Fig.2)

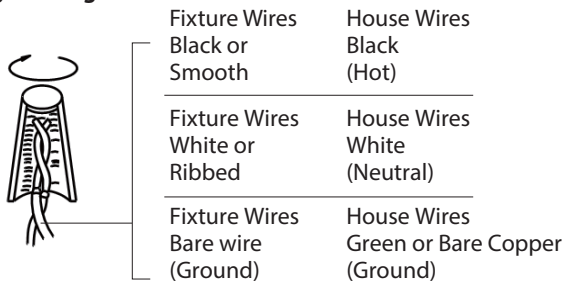
3. Place the left and right brackets and glass as shown in the fig.3, then use small screws to fix the canopy and glass to the bracket (Fig.3).
4. Remove the mounting screw (B) from the canopy.
5. Drill holes in the wall aligned with the key-hole located in the mounting plate,insert the plastic anchor(D) to the wall.
6. Secure the mounting ring(G) to the junction box using standard junction box screws that comes with the junction box.

Note: (i) using any other non-original-manufacturer provided junction box screw may result in safety issue;

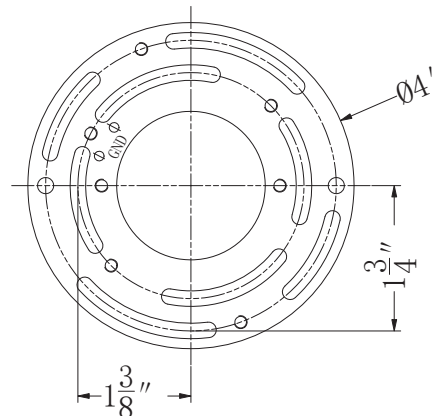
(ii) The side of the mounting ring marked "GND" must face out.

7. Place the mounting back plate and the conversion plate(F) onto the mounting ring,secure them with mounting screw(H).
8. Fasten the mounting back plate to the wall using the wood screw(C).
9. Connect the driver's input wires to junction box wires as shown (Fig. 4). Make sure that all wire connectors (A) are secure. If your outlet box has a green or bare copper ground wire, connect the driver's ground wire to it. Otherwise, connect the fixture's ground wire directly to the back plate using the GND screw provided. After wires are connected, tuck them carefully inside the junction box.
10. Secure the fixture to the mounting back plate using the mounting screw (B).

Fig.4 Wiring



Mounting Ring Dimensions



dweLED.com
 Phone (800) 526.2588
 Fax (800) 526.2585

Headquarters/Eastern Distribution Center
 44 Harbor Park Drive
 Port Washington, NY 11050

Central Distribution Center
 1600 Distribution Ct
 Lithia Springs, GA 30122

Western Distribution Center
 1750 Archibald Avenue
 Ontario, CA 91760

