

**INSTALLATION INSTRUCTION**  
**Oculux LED Track Luminaires**  
H/L/J-7011-WD

**WAC LIGHTING**  
Responsible Lighting®

**WARNING**

**IMPORTANT:** NEVER attempt any work without shutting off the electricity.

- Read all instructions before installing.
- System is intended for installation by a qualified electrician in accordance with the National Electrical Code and local regulations.
- Go to the main fuse box, or circuit breaker. Place the main power switch in the "OFF" position and unscrew the fuse(s) or switch "OFF" the circuit breaker switch(es) that control the power to the fixture or room that you are working on.
- Place the wall switch in the "OFF" position.

**AVERTISSEMENT**

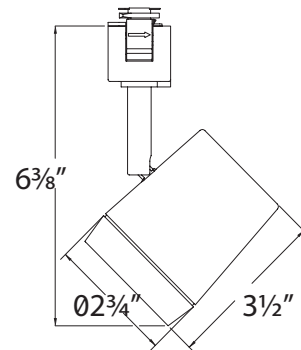
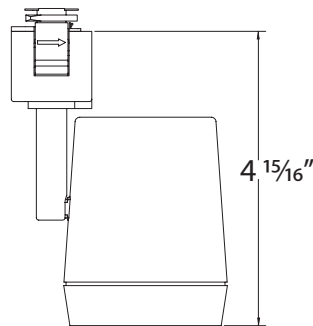
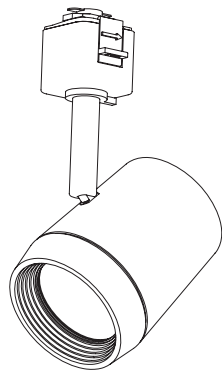
**IMPORTANT :** Coupez l'électricité avant TOUTE manipulation.

- Lisez toutes les instructions avant d'installer.
- Système est destiné à être installé par un électricien qualifié en conformité avec le code national de l'électricité et les règlements locaux.
- Accédez au panneau central de disjoncteurs ou de fusibles de votre demeure et placez l'interrupteur principal en position d'arrêt (« OFF »).
- Placez l'interrupteur mural en position d'arrêt (« OFF »).

**Overview:**

Fixtures are designed for use on WAC Lighting's track systems.

LED TRACK LUMINAIRE	TRACK SYSTEM
<b>H-7011-WD Series</b>	120V HTrack
<b>L-7011-WD Series</b>	120V L Track
<b>J-7011-WD Series</b>	120V J or J2 Track



Note: All parts must be used as indicated in these instructions. Do not substitute any parts, leave parts out, or use any parts that are worn out or broken. Failure to follow this instruction could invalidate the ETL/cETL listing of this fixture.

**wacighting.com**

Phone (800) 526.2588

Fax (800) 526.2585

**Headquarters/Eastern Distribution Center**

44 Harbor Park Drive

Port Washington, NY 11050

**Central Distribution Center**

1600 Distribution Ct

Lithia Springs, GA 30122

**Western Distribution Center**

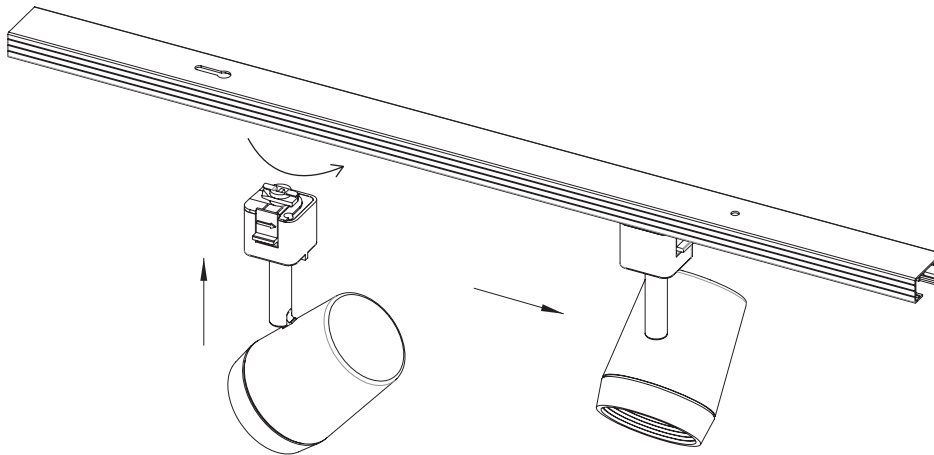
1750 Archibald Avenue

Ontario, CA 91760

**FIXTURE INSTALLATION FOR H/ L/ J/J2 TRACK: (Fig.1)**

1. The track has a groove running its length to indicate polarity and the track adapter locking tab has an arrow indicating locking direction.
2. Insert adapter into track slot.  
**For H/J Track:** The arrow should be on the grooved side of the track.  
**For J2 Track:** To install to 2nd circuit of J2 track, lift the track head conductor tab with "P" and insert the JCLIP to the connector  
**For L Track:** The arrow should be on the side opposite the grooved side of the track.
3. Push up and rotate the adapter into the lock position.
4. Reverse procedure to remove. The fixture may be positioned anywhere along the track.

**FIG.1**

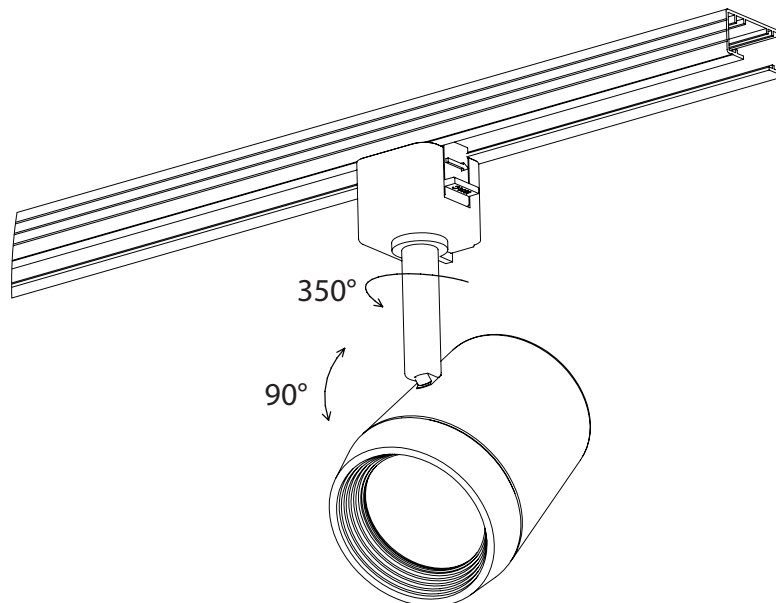


**FIXTURE POSITIONING: (Fig.2)**

Power on fixture, rotate the luminaire's body horizontally or vertically to aim it properly.

The fixture can rotate  $\pm 90^\circ$  vertically and  $350^\circ$  horizontally.

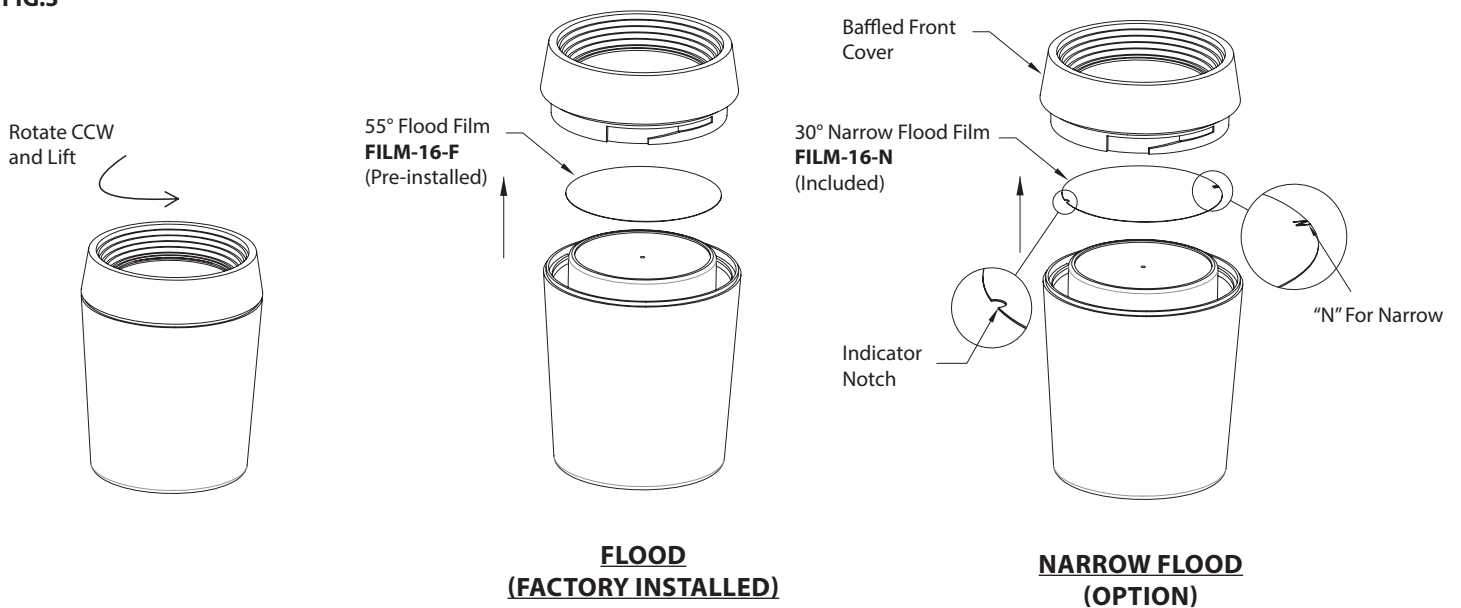
**FIG.2**



**OPTIC REPLACEMENT (FOR BEAM SELECTION):**

1. With the fixture powered OFF, rotate the baffled front cover counter clockwise (CCW) and lift to remove it from the fixture. **Fig.3**
2. For beam selection, choose appropriate film (**Narrow Flood or Flood**)  
**Note:** The fixture is supplied with the TIR lens and Flood film pre-installed. Either film should be installed for a complete fixture.
3. Apply the appropriate film (if selected) between the optic holder and baffled front cover. **Fig.4**  
**Note:** Ensure that any films installed, are installed with the **GLOSS SIDE OUT**.
4. Re-install the baffled front cover.

**FIG.3**



**FIG.4**

