

INSTALLATION INSTRUCTION

Paloma - 523 LED Adjustable Beam

WTK-LED523, WHK-LED523

WAC LIGHTING
Responsible Lighting®

WARNING

IMPORTANT: NEVER attempt any work without shutting off the electricity.

- Read all instructions before installing.
- System is intended for installation by a qualified electrician in accordance with the National Electrical Code and local regulations.
- Go to the main fuse box, or circuit breaker. Place the main power switch in the "OFF" position and unscrew the fuse(s) or switch "OFF" the circuit breaker switch(es) that control the power to the fixture or room that you are working on.
- Place the wall switch in the "OFF" position.

AVERTISSEMENT

IMPORTANT : Coupez l'électricité avant TOUTE manipulation.

- Lisez toutes les instructions avant d'installer.
- Système est destiné à être installé par un électricien qualifié en conformité avec le code national de l'électricité et les règlements locaux.
- Accédez au panneau central de disjoncteurs ou de fusibles de votre demeure et placez l'interrupteur principal en position d'arrêt (« OFF »).
- Placez l'interrupteur mural en position d'arrêt (« OFF »).

All parts must be used as indicated in these instructions. Do not substitute any parts, leave parts out, or use any parts that are worn out or broken. Failure to follow this instruction may invalidate the ETL/CETL listing of this fixture.

Overview:

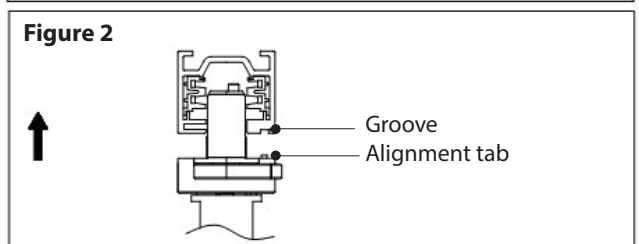
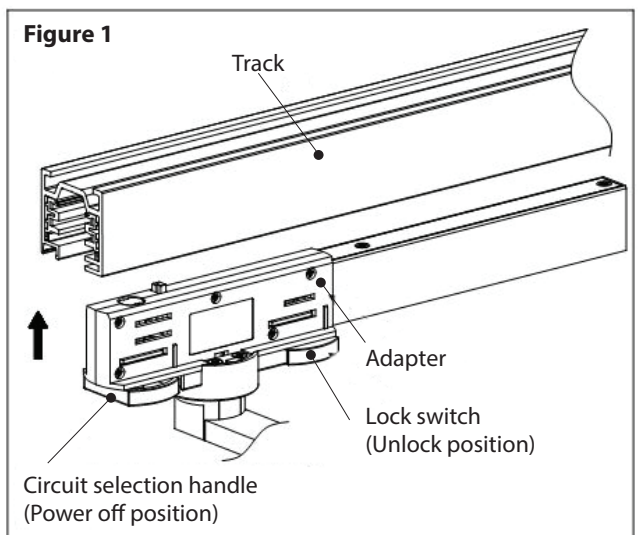
Fixtures are designed for use on WAC Lighting's W track systems.

LED TRACK LUMINAIRE	TRACK SYSTEM
WTK-LED523 Series	WT 120V W Track
WHK-LED523 Series	WHT 277V W Track

Installing on Track

1. Make sure that the lock switch is in the unlock position and the circuit selection handle is in the off position. (See Figure 1)

2. Align the alignment tab bump on the adapter with the groove/slot on the track (see Figure 2).
Once aligned, insert adapter into the track.



WAC Lighting
www.waclighting.com
Phone (800) 526.2588 • Fax (800) 526.2585

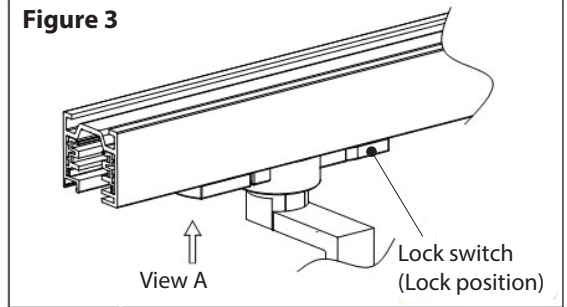
Headquarters/Eastern Distribution Center
44 Harbor Park Drive • Port Washington, NY 11050
Phone (516) 515.5000 • Fax (516) 515.5050

Western Distribution Center
1750 Archibald Ave • Ontario, CA 91761
Phone (800) 526.2588 • Fax (800) 526.2585

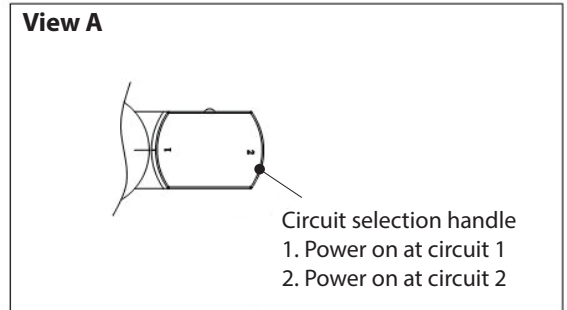
INSTALLATION INSTRUCTION
Paloma - 523 LED Adjustable Beam
WTK-LED523, WHK-LED523

WAC LIGHTING
Responsible Lighting®

3. To secure the fixture to the track turn the lock switch to its locked position. (See Figure 3)



4. Select the circuit you want the luminaire to be powered on by rotating the circuit selection handle to circuit 1 or 2. (See View A)

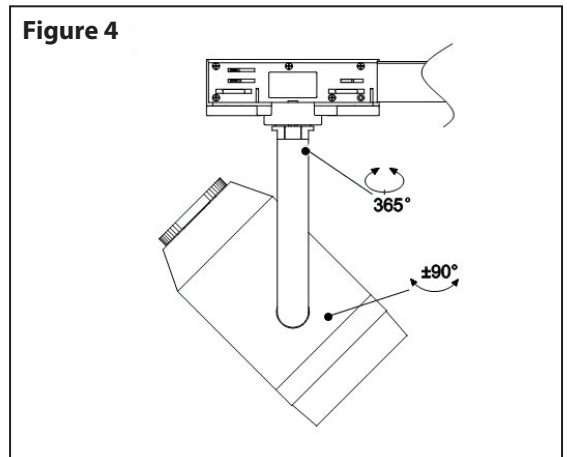


5. Switch the main fuse breaker and circuit breaker to "ON" position.

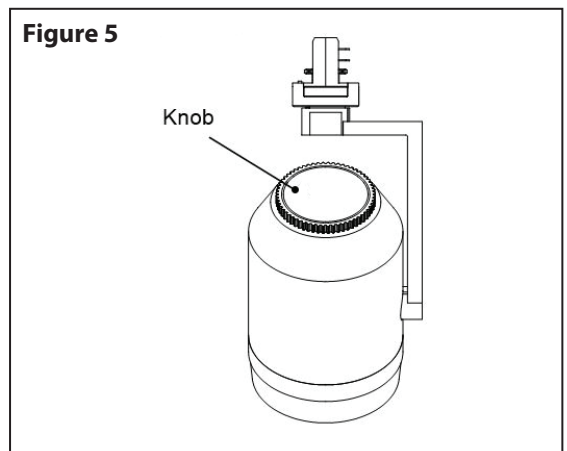
6. Place the wall switch in the "ON" position.

POSITIONING THE FIXTURE

7. After the light is on, rotate the luminaire's body horizontally and vertically to aim it properly. (See Figure 4)



8. Rotate beam adjusting knob until desired beam is achieved - clockwise for smaller beam, and counter clockwise for larger beam. (See Figure 5)



WAC Lighting
www.waclighting.com
Phone (800) 526.2588 • Fax (800) 526.2585

Headquarters/Eastern Distribution Center
44 Harbor Park Drive • Port Washington, NY 11050
Phone (516) 515.5000 • Fax (516) 515.5050

Western Distribution Center
1750 Archibald Ave • Ontario, CA 91761
Phone (800) 526.2588 • Fax (800) 526.2585