

INSTALLATION INSTRUCTION

Framing Projector

FP-K

WAC LIGHTING

Responsible Lighting®

WARNING

- Read all instructions before installing.

AVERTISSEMENT

- Lisez toutes les instructions avant d'installer.

1. With fixture powered off and front cap facing toward you, rotate the front cap clockwise just passed the position you feel a "click" (**Fig.1**)
2. Gently, while holding fixture body secure, rock front cap assembly back and forth while pulling it away from fixture body to remove front cap assembly (**Fig. 2**)

Fig.1

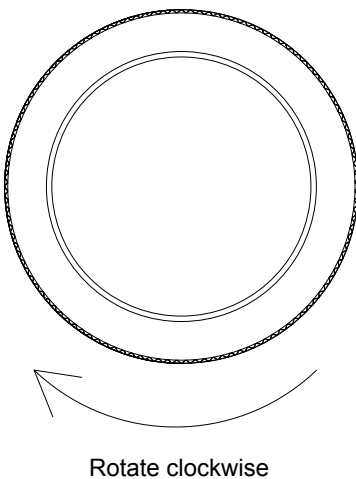
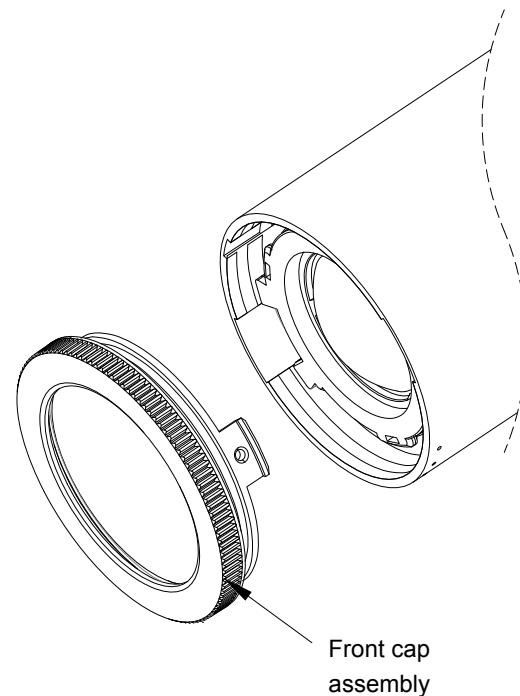


Fig.2



Note: All parts must be used as indicated in these instructions. Do not substitute any parts, leave parts out, or use any parts that are worn out or broken. Failure to follow this instruction could invalidate the UL/CUL listing of this fixture.

waclighting.com
Phone (800) 526.2588
Fax (800) 526.2585

Headquarters/Eastern Distribution Center
44 Harbor Park Drive
Port Washington, NY 11050

Central Distribution Center
1600 Distribution Ct
Lithia Springs, GA 30122

Western Distribution Center
1750 Archibald Avenue
Ontario, CA 91760

INSTALLATION INSTRUCTION

Framing Projector

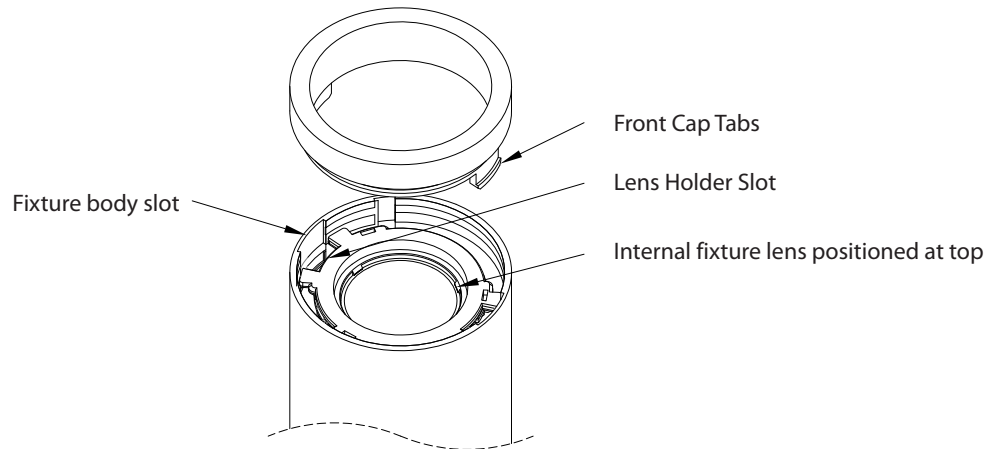
H/L/J-4023

WAC LIGHTING

Responsible Lighting®

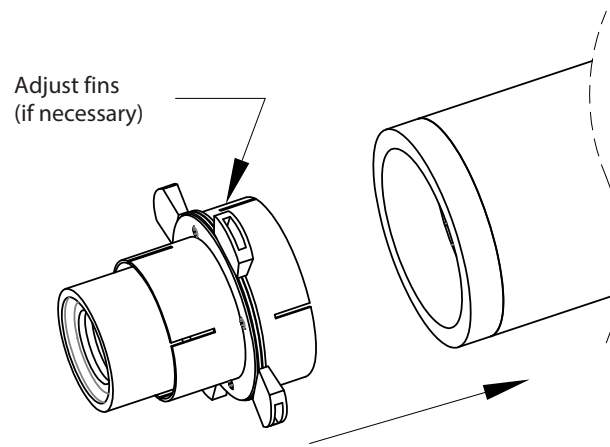
- Align the framing projector adapter tabs with the fixture body slots and insert the framing projector adapter into the fixture. Once fully inserted, rotate the framing projector adapter counter clockwise passed the "click" and to the desired beam angle. **(Fig. 3)**

Fig.3



- Insert the framing projector into the framing projector adaptor. If the fit is too tight or loose, adjust the fins by gently pushing them inward or outward respectively. **(Fig. 4)**

Fig.4



waclighting.com
Phone (800) 526.2588
Fax (800) 526.2585

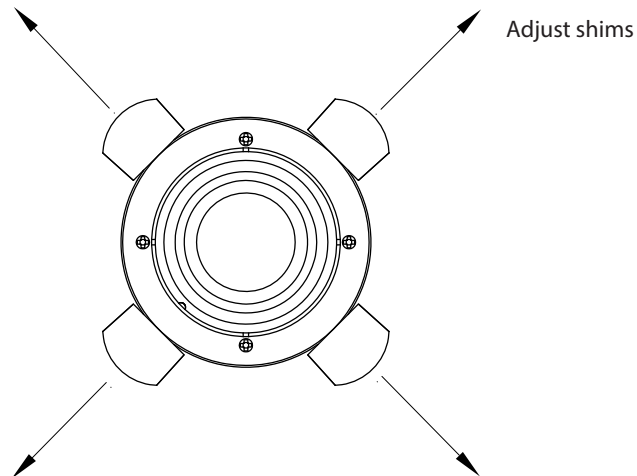
Headquarters/Eastern Distribution Center
44 Harbor Park Drive
Port Washington, NY 11050

Central Distribution Center
1600 Distribution Ct
Lithia Springs, GA 30122

Western Distribution Center
1750 Archibald Avenue
Ontario, CA 91760

5. Move the four metal shims to define the light area.
The shims will be held in place by spring tension. **(Fig. 5)**

Fig.5



6. Rotate the focusing lens to sharpen the focus of the light. **(Fig. 6)**

Fig.6

