

INSTALLATION INSTRUCTION

Volta 4.5" LED - Wall Wash Round Trim

R4RWT, R4RWL

WAC LIGHTING
Responsible Lighting®

SAFETY INSTRUCTION

IMPORTANT: NEVER attempt any work without shutting off the electricity.

- Read all instructions before installing.
- System is intended for installation by a qualified electrician in accordance with the National Electrical Code and local regulations.
- Go to the main fuse box, or circuit breaker. Place the main power switch in the "OFF" position and unscrew the fuse(s) or switch "OFF" the circuit breaker switch(es) that control the power to the fixture or room that you are working on.
- Place the wall switch in the "OFF" position.

AVERTISSEMENT

IMPORTANT : Coupez l'électricité avant TOUTE manipulation.

- Lisez toutes les instructions avant d'installer.
- Système est destiné à être installé par un électricien qualifié en conformité avec le code national de l'électricité et les règlements locaux.
- Accédez au panneau central de disjoncteurs ou de fusibles de votre demeure et placez l'interrupteur principal en position d'arrêt (« OFF »).
- Placez l'interrupteur mural en position d'arrêt (« OFF »).

CAUTION

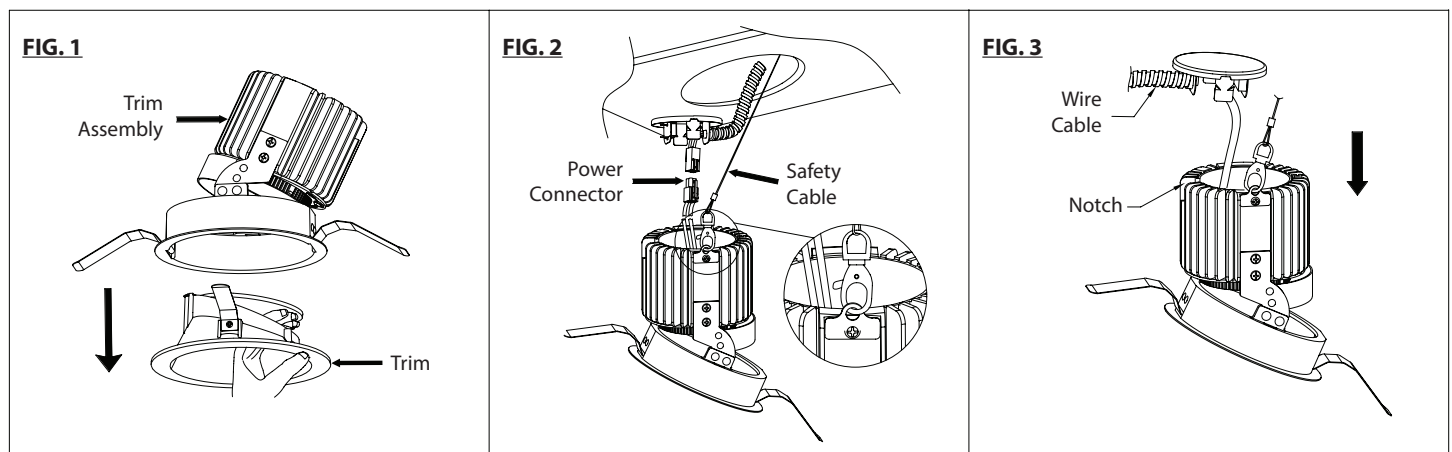
All parts must be used as indicated in these instructions. Do not substitute any parts, leave parts, or use any parts that are worn out or broken. Failure to follow could invalidate the ETL/cETL listing of this fixture.

TRIM MODEL

The trim R4RWT can be used with remodel and new construction round housings. The Trimless R4RWL to be used with new construction round housing. Refer to specification sheets for compatible housing and trim details. Follow appropriate housing instructions to begin installation.

TRIM INSTALLATION (R4RWT)

1. Remove trim from trim assembly (See **FIG.1**).
2. Raise trim assembly to ceiling cutout and connect power connector and safety cable (See **FIG.2**).
3. Install connector cap onto top of trim assembly, careful not to pinch power wiring. Make sure the cap wire cable aligns with the notch on the top of heat sink (See **FIG.3**).



wacighting.com
Phone (800) 526.2588
Fax (800) 526.2585

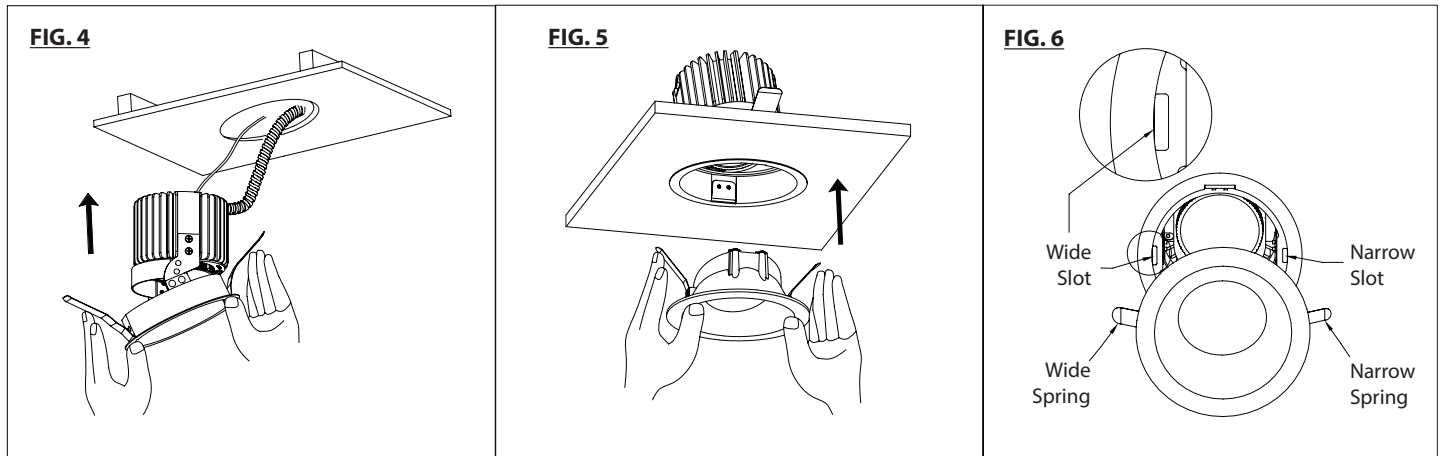
Headquarters/Eastern Distribution Center
44 Harbor Park Drive
Port Washington, NY 11050

Central Distribution Center
1600 Distribution Ct
Lithia Springs, GA 30122

Western Distribution Center
1750 Archibald Avenue
Ontario, CA 91760

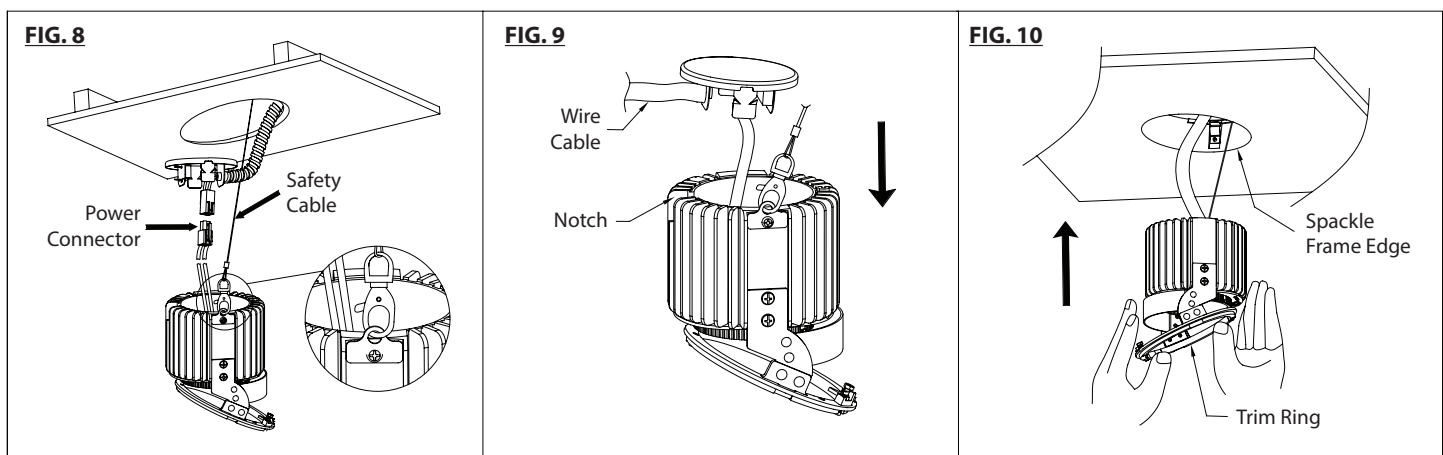
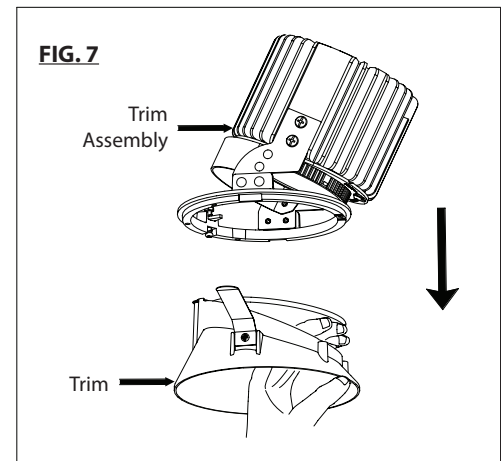
INSTALLATION INSTRUCTION
Volta 4.5" LED - Wall Wash Round Trim
R4RWT, R4RWL

4. Fold trim assembly mounting springs inward and insert trim assembly into ceiling cutout with the angle of the heat sink opposite wall to be illuminated. Be sure once installed, trim assembly is flush and secure (See **FIG. 4**).
5. Raise trim up to the trim assembly until the trim is flush with ceiling surface. Be sure trim springs go into appropriate slots in the trim assembly (See **FIG.5 & 6**).



Trimless INSTALLATION (R4RWL)

1. Remove trim from trim assembly (See **FIG.7**).
2. Raise trim assembly to ceiling cutout and connect power connector and safety cable (See **FIG.8**).
3. Install connector cap onto top of trim assembly, careful not to pinch power wiring. Make sure the cap wire cable aligns with the notch on the top of heat sink (See **FIG.9**).
4. After power and safety chain connections, insert trim assembly into spackle frame. To make the installation easier, make sure the trim ring is parallel to the spackle frame edge inside opening (See **FIG.10**).



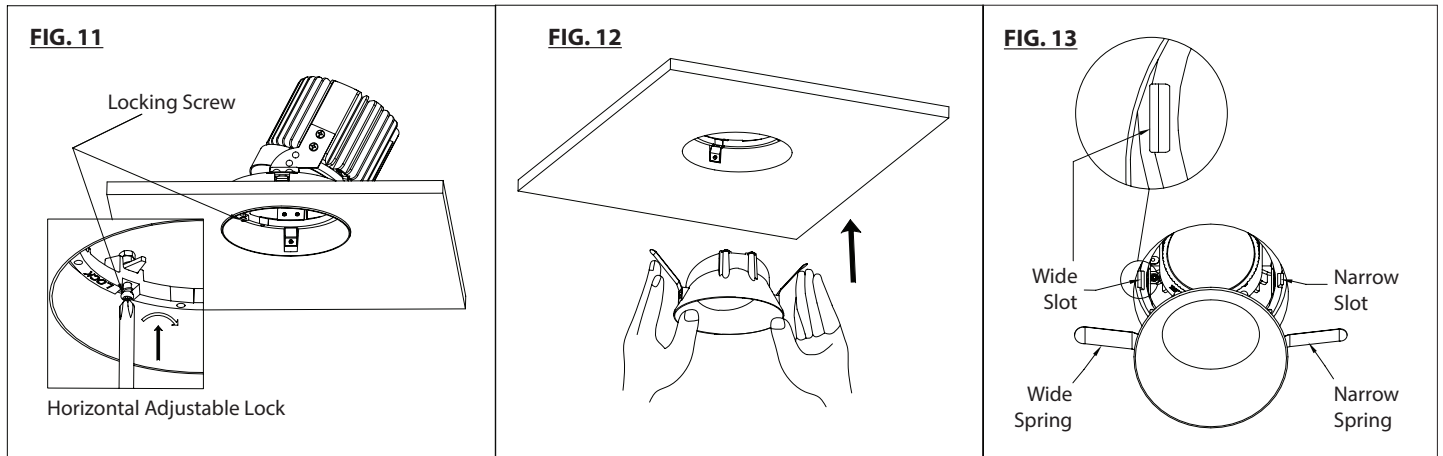
INSTALLATION INSTRUCTION

Volta 4.5" LED - Wall Wash Round Trim

R4RWT, R4RWL

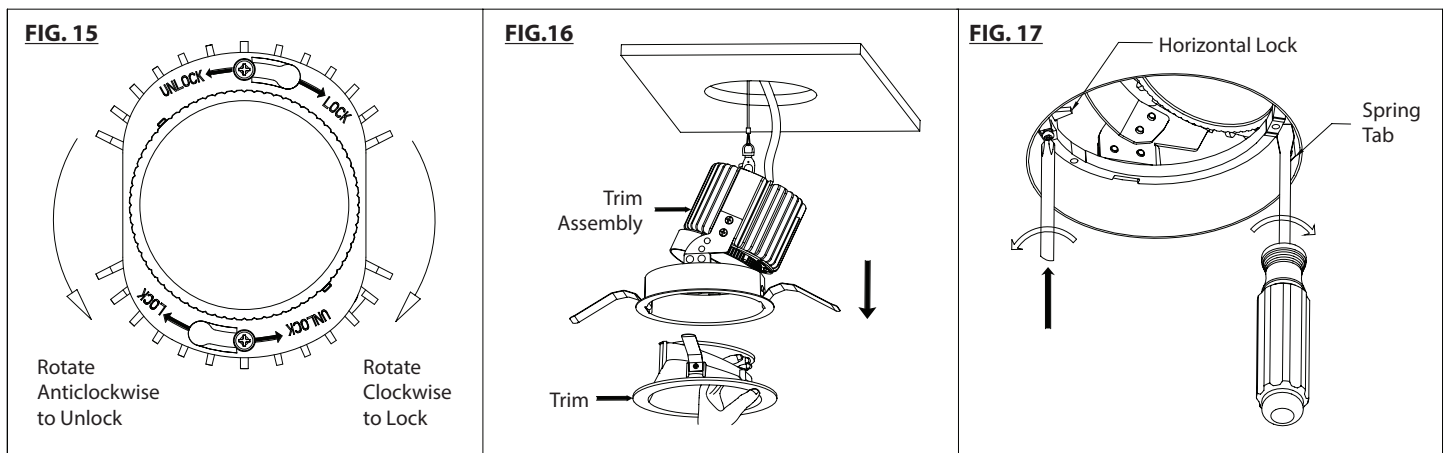
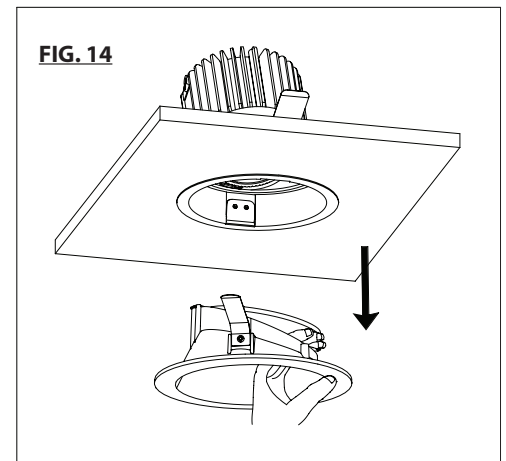
WAC LIGHTING
Responsible Lighting®

- Adjust trim assembly to the desired location and lock by using Philips-head screw driver to secure horizontal adjustable lock (See **FIG.11**).
- Raise trim up to the trim assembly until the trim is flush with ceiling surface. Be sure trim springs go into appropriate slots in the trim assembly (See **FIG.12 & 13**).



REFLECTOR AND LED REPLACEMENT

- Power off fixture and let fixture cool down.
- Exchange reflector
 - Remove the trim from the trim assembly (See **FIG.14**)
 - Inset hand into fixture opening to grip optical cartridge, rotate to unlock and take out (See **FIG.15**).
 - Insert the replacement reflector into optical cartridge, put the whole assembly back inside fixture and lock it to the heat sink.
 - Reinstall the trim inside fixture to complete (See **FIG. 5 & 6**).
- Replace the LED module
 - Remove trim from the trim assembly first, then the trim assembly from the ceiling or fixture aperture (See **FIG.16**).
 - To remove the Trimless assembly, use the Philips-head driver to lose the locking screw and the flat head screw driver to release the spring tab on aperture ring (See **FIG.17**).



waclighting.com
Phone (800) 526.2588
Fax (800) 526.2585

Headquarters/Eastern Distribution Center
44 Harbor Park Drive
Port Washington, NY 11050

Central Distribution Center
1600 Distribution Ct
Lithia Springs, GA 30122

Western Distribution Center
1750 Archibald Avenue
Ontario, CA 91760

INSTALLATION INSTRUCTION

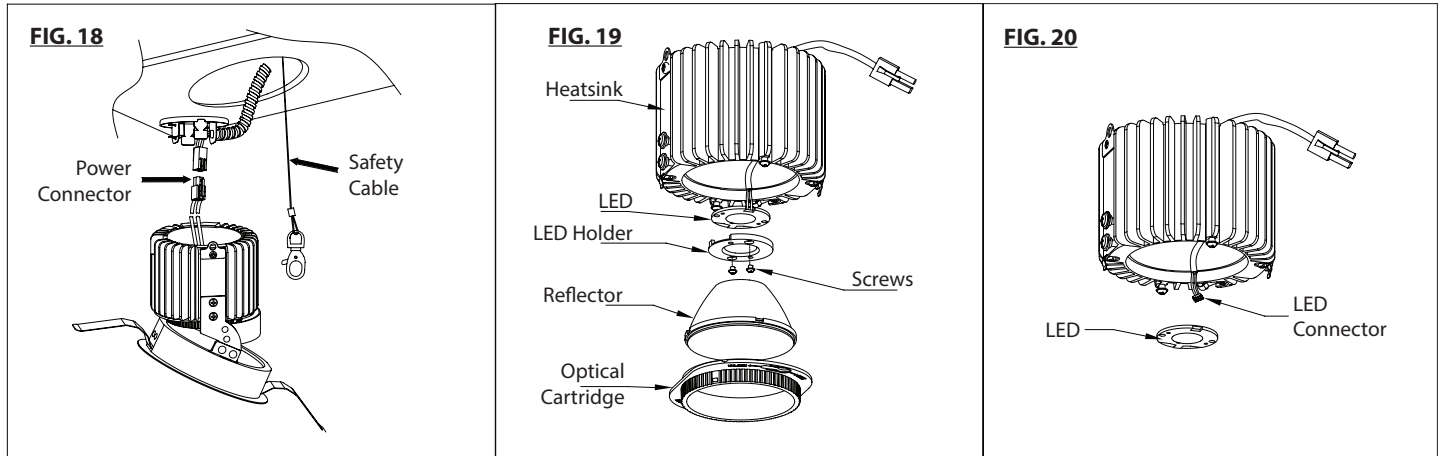
Volta 4.5" LED - Wall Wash Round Trim

R4RWT, R4RWL

WAC LIGHTING

Responsible Lighting®

- c. Remove cap and disconnect power connector and safety cable (See **FIG.18**).
- d. Unlock and remove the optical cartridge and reflector (See **FIG.15**).
- e. Unscrew the LED holder and remove the LED connector from the LED module (See **FIG.19, 20**).
- f. Remove and discard the LED module from the heat sink.
- g. Coat the heat paste (by others or call the factory) on the back of the new LED module and place it on the heat sink by aligning two holes on LED with two screw holes on the heat sink.
- h. Connect the LED module with connector and fasten the LED holder on top of the LED model by tightening two screws.
- i. Reinstall the reflector and optical cartridge (See **FIG.15**).
- j. Connect power connector and safety cable, then reinstall the trim assembly and trim inside fixture to complete.



waclighting.com
Phone (800) 526.2588
Fax (800) 526.2585

Headquarters/Eastern Distribution Center
44 Harbor Park Drive
Port Washington, NY 11050

Central Distribution Center
1600 Distribution Ct
Lithia Springs, GA 30122

Western Distribution Center
1750 Archibald Avenue
Ontario, CA 91760