

# INSTALLATION INSTRUCTIONS

## 559 –LED Pendant

PD-55904/ PD-55906/ PD-55912

# dweLED

**CAUTION: TO PREVENT ELECTRICAL SHOCK, ENSURE ELECTRICITY HAS BEEN TURNED OFF AT THE CIRCUIT BREAKER BEFORE BEGINNING.**

- Read all instructions before installing.
- System is intended for installation by a licensed electrician in accordance with the National Electrical Code (NEC) and local regulations.
- When handling the fixture, do not apply pressure to the LEDs. Hold the fixture by the base only.
- Retain installation instructions for future maintenance reference.

**WARNING:** All parts must be used as indicated in these instructions. This product is designed for use only with the supplied parts and/or accessories designated for use by dweLED. Substitution of parts or accessories not designated for use with this product by dweLED could result in personal injury or property damage, and will void the warranty. Contact an authorized dealer or the manufacturer if any parts are damaged or missing.

**MAINTENANCE NOTE:** Coastal conditions may cause mineral and residue build-up on the fixture. We recommend that customers in coastal areas clean all external surfaces of the fixture once every two weeks with a wet cloth.

**MISE EN GARDE: Pour éviter tout choc électrique, assurez-vous que le disjoncteur soit mis hors tension avant de commencer.**

- Lisez toutes les instructions avant l'installation.
- Le système doit être installé par un électricien licencié conformément au code national de l'électricité (NEC), et également aux règlements locaux.
- Lors de la manipulation du luminaire, n'appuyez pas sur les LED. Tenez-le uniquement par la base.
- 

**ATTENTION:** Toutes les pièces doivent être utilisées comme indiqué dans ces instructions. Ce produit est conçu pour être utilisé seulement avec les pièces et/ou accessoires fournis pour être utilisés avec les produits dweLED. Remplacer des pièces ou accessoires non conçus pour ce produit dweLED pourrait causer des dommages corporels ou matériels et pourrait également causer l'annulation de la garantie. Veuillez contacter un revendeur autorisé ou le fabricant si des pièces manquent ou sont endommagées.

**NOTE D'ENTRETIEN:** Les conditions côtières peut causer une accumulation de minéraux et de résidue sur le luminaire. Nous recommandons aux clients qui résident dans les zones côtières de nettoyer toutes les surfaces externes du luminaire une fois toutes les deux semaines avec un chiffon humide.

### HARDWARE

A



Wire  
Connector

Qty: 5pcs+1Extra

B



Mounting  
Screw

Qty: 1 extra

C



Allen  
Wrench

Qty: 1

D



Allen  
Screw

Qty: 1 extra

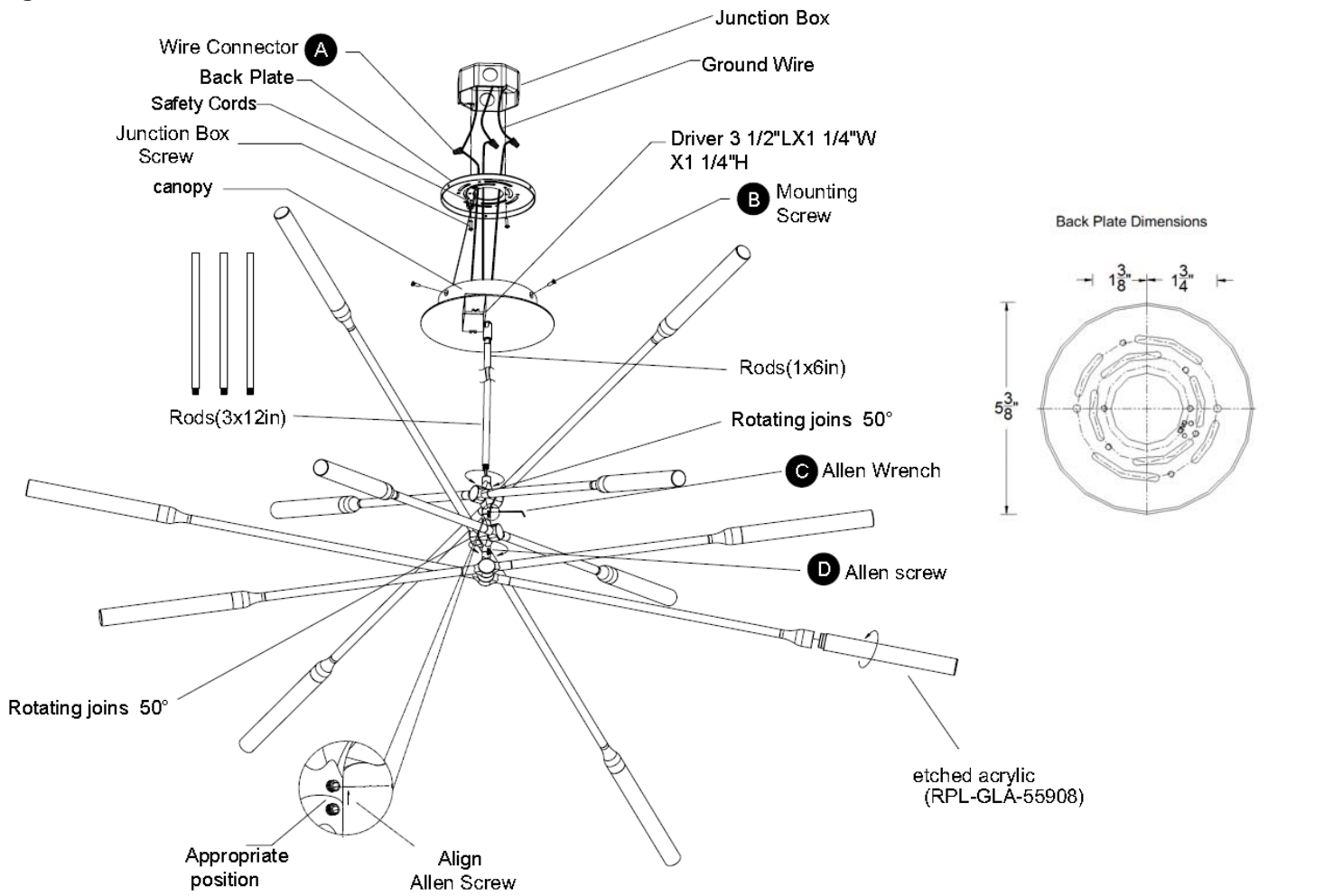
# INSTALLATION INSTRUCTIONS

## 559 –LED Pendant

PD-55904/ PD-55906/ PD-55912

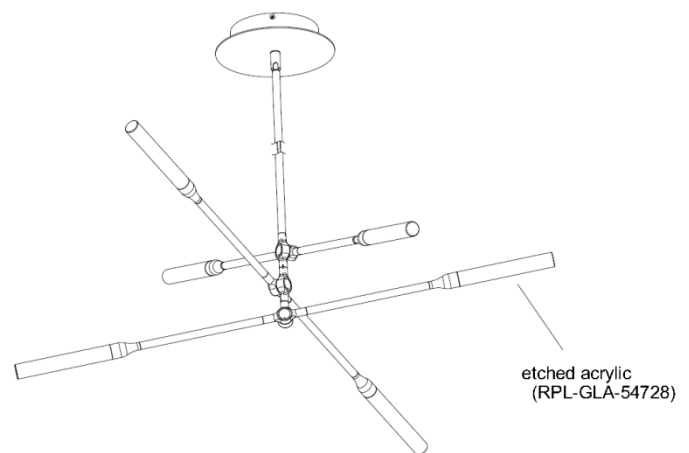
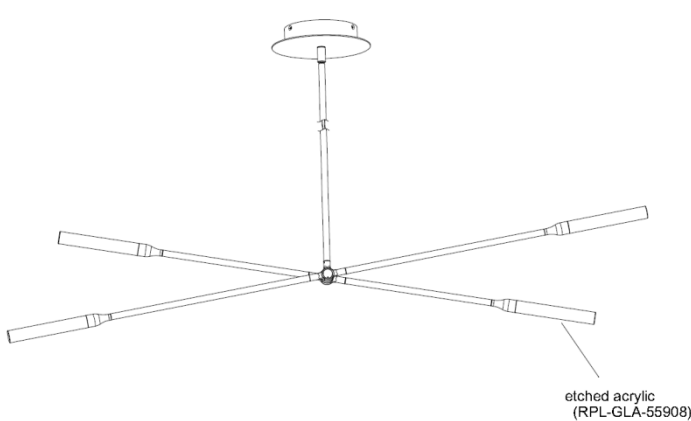
Fig. 1 PD-55912

# dweLED



**PD-55904**

**PD-55906**



dweLED.com  
Phone (800) 526.2588  
Fax (800) 526.2585

Headquarters/Eastern Distribution Center  
44 Harbor Park Drive  
Port Washington, NY 11050

Central Distribution Center  
1600 Distribution Ct  
Lithia Springs, GA 30122

Western Distribution Center  
1750 Archibald Ave  
Ontario, CA 91761

# INSTALLATION INSTRUCTIONS

## 559 –LED Pendant

PD-55904/ PD-55906/ PD-55912

# dweLED

### PREPARATION

1. Shut off the power at the circuit breaker and remove existing fixture, including the crossbar.
2. Carefully unpack your new fixture and lay out all the parts on a clear area. Be careful not to lose any small parts necessary for installation.

### MOUNTING THE FIXTURE (Fig. 1)

3. Remove the mounting screw (B) from the fixture.
4. Secure back plate to the junction box using the screws provided with the junction box.  
**NOTE:** The side of the mounting plate marked "GND" must face out.
5. Choose number of rods suitable for your application. Thread the fixture wire through the rods, swivel and canopy. Connect swivel, rods and fixture body. Make sure all are tightened.
6. Hook the safety cords to the back plate as shown (Fig. 1) (only PD-55912 need).

### CONNECTING THE WIRES (Fig. 2)

7. Cut the extra wire. Connect the driver input wires with junction box wires as shown (Fig.2). Make sure that all wire connectors (A) are secure. If your outlet box has a green or bare copper ground wire, connect the fixture's ground wire to it. Otherwise, connect the fixture's ground wire directly to the mounting plate using the green screw provided. After wires are connected, tuck them carefully inside the junction box.
8. Place the fixture over the back plate and secure it with mounting screws (B).
9. Adjust the rotating joints to appropriate positions as shown (Fig. 1) (only PD-55912 and PD-55906 need), secure joints with Allen screw (D) using Allen Wrench (C).
10. Thread the etched acrylic on the fixture.

### COMPLETING THE INSTALLATION

11. Secure the fixture to the mounting back plate using the mounting screws (B).
  12. For slope ceiling application, rotate swivel at the top of the stem to ensure luminaires are aiming down (Fig.3).
- NOTE:** The fixture exceeds 28lbs, and must be installed using an outlet box U.L. approved for up to 100lbs.

Fig.2 Wiring

