

INSTALLATION INSTRUCTION

ION 2" LED - New Construction/Remodel

R2DSDR, R2DSDN

WAC LIGHTING

SAFETY INSTRUCTION

IMPORTANT: NEVER attempt any work without shutting off the electricity.

- Read all instructions before installing.
- System is intended for installation by a qualified electrician in accordance with the National Electrical Code and local regulations.
- Go to the main fuse box, or circuit breaker. Place the main power switch in the "OFF" position and unscrew the fuse(s) or switch "OFF" the circuit breaker switch(es) that control the power to the fixture or room that you are working on.
- Place the wall switch in the "OFF" position.

AVERTISSEMENT

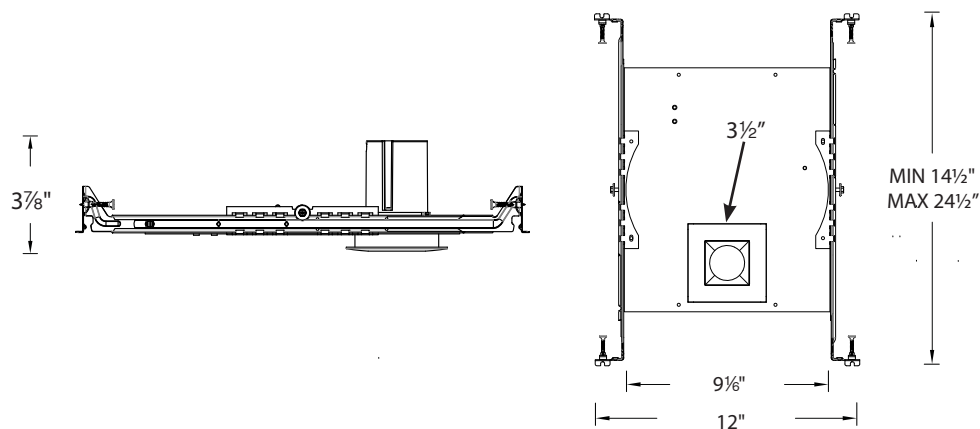
IMPORTANT : Coupez l'électricité avant TOUTE manipulation.

- Lisez toutes les instructions avant d'installer.
- Système est destiné à être installé par un électricien qualifié en conformité avec le code national de l'électricité et les règlements locaux.
- Accédez au panneau central de disjoncteurs ou de fusibles de votre demeure et placez l'interrupteur principal en position d'arrêt (« OFF »).
- Placez l'interrupteur mural en position d'arrêt (« OFF »).

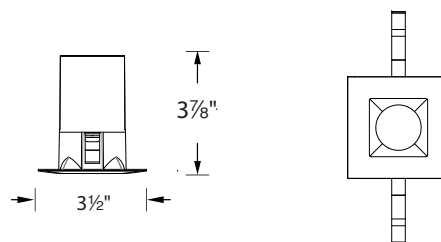
CAUTION

All parts must be used as indicated in these instructions. Do not substitute any parts, leave parts out, or use any parts that are worn out or broken. Failure to follow could invalidate the ETL/cETL listing of this fixture.

NEW CONSTRUCTION OVERALL DIMENSIONS



REMODEL OVERALL DIMENSIONS



SPECIFICATIONS	
Input:	120-277V
Installation:	IC for all models (9W)
Dimming:	ELV / TRIAC

wacighting.com
Phone (800) 526.2588
Fax (800) 526.2585

Headquarters/Eastern Distribution Center
44 Harbor Park Drive
Port Washington, NY 11050

Central Distribution Center
1600 Distribution Ct
Lithia Springs, GA 30122

Western Distribution Center
1750 Archibald Avenue
Ontario, CA 91760

INSTALLATION INSTRUCTION

BLAZE 6" LED - New Construction/Remodel

R6DSDR, R6DSDN

WAC LIGHTING

REMODEL INSTALLATION

1. At the point of installation, cut a $\varnothing 5\frac{1}{2}$ " round hole (See **FIG. 2**).
2. Ceiling thickness range is $\frac{1}{2}$ " to $1\frac{1}{2}$ ".
3. Take out fixture from packaging box.
4. Adjust to desired color temperature using switch on the back of the fixture (See **FIG. 1**).
5. Pull building supply wires through the ceiling cutout and open remote electrical box door. (See **FIG. 3**)
Remove desired housing knockout and feed building wires into housing using appropriate connector.
6. Connect fixture wires to building wires (See **FIG. 4**):

Connect each supply wire with appropriate junction box wire connector. This fixture features electronic low voltage (ELV) or TRIAC dimming capabilities.

To utilize ELV or TRIAC, wire black (line hot), white (line neutral) and green (ground) in accordance to dimmer specifications.

When not using a dimmer, connect black fixture wire to hot, white fixture wire to neutral and green fixture wire to ground. Leave all other wires capped individually.

FIG. 1

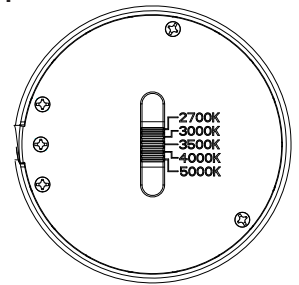


FIG. 2

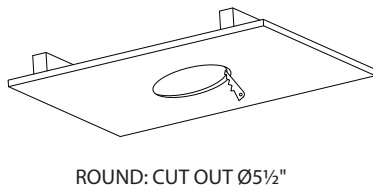


FIG. 3

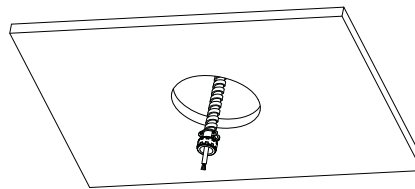
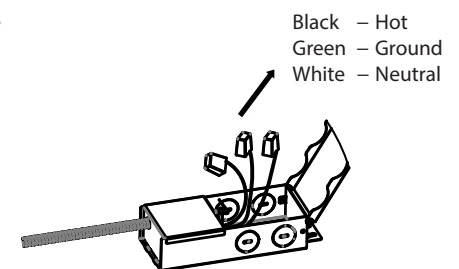


FIG. 4



7. Place all wiring and connectors back in electrical box and replace the electrical box's cover.
8. Twist-lock the electrical box to the trim assembly. Insert electrical box through ceiling cutout (See **FIG. 5**).
9. Fold trim assembly mounting springs inward and insert trim assembly into ceiling cutout. Be sure once installed, trim assembly is flush and secure (See **FIG. 6 & 7**).

FIG. 5

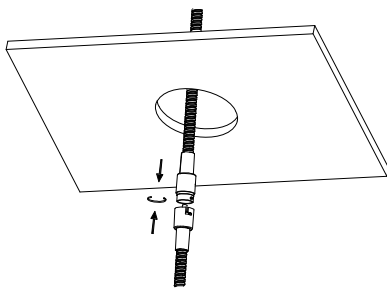


FIG. 6

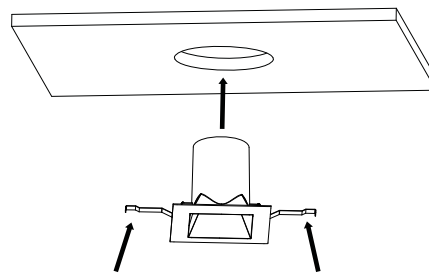
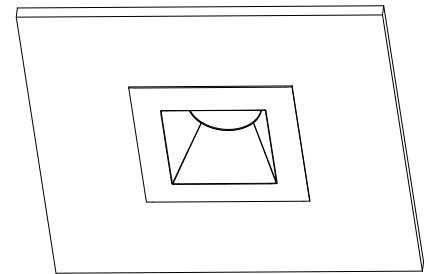


FIG. 7



wacighting.com
Phone (800) 526.2588
Fax (800) 526.2585

Headquarters/Eastern Distribution Center
44 Harbor Park Drive
Port Washington, NY 11050

Central Distribution Center
1600 Distribution Ct
Lithia Springs, GA 30122

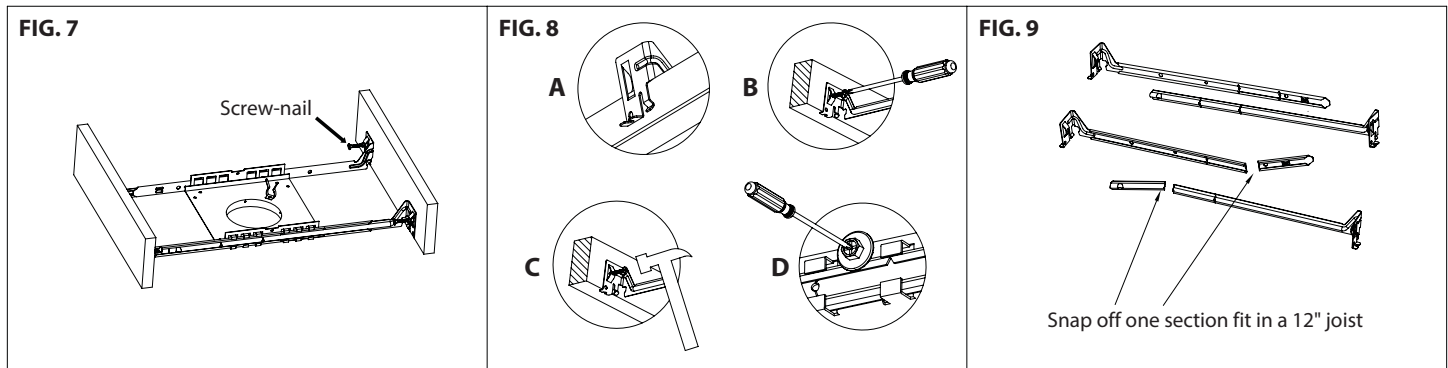
Western Distribution Center
1750 Archibald Avenue
Ontario, CA 91760

ION 2" LED - New Construction/Remodel

R2DSDR, R2DSDN

NEW CONSTRUCTION INSTALLATION

1. Install mounting frame using two hanger bars (24½" max). Bars are notched on the ends to fit over "T" bars in suspended ceilings (See **FIG. 8A**).
2. Hanger bars include a captive mounting "screw-nail" for ease of installation (See **FIG. 7**). Align the bottom of the hanger bar with the bottom of the wood joist. Secure the "screw-nail" on each end by screwdriver (See **FIG. 8B**), or by hammer (See **FIG. 8C**).
3. Slide frame along bar hangers into desired location. Use locking screws to secure (See **FIG. 8D**).
4. To shorten hanger bars to fit in a 12" joist, snap off one section of the hanger bars (See **FIG. 9**).
5. Cut a 3" diameter hole in the ceiling at the point of installation and install ceiling.
6. Pull building supply wires through ceiling cutout and open electrical box door. Remove desired housing knockout and feed building wires into housing using appropriate connector.



7. Connect fixture wires to building wires (See **FIG. 10**): Connect each supply wire with appropriate junction box connector. This fixture features electronic low voltage (ELV) or TRIAC dimming capabilities.

To utilize ELV or TRIAC, wire black (line hot), white (line neutral) and green (ground) in accordance to dimmer specifications.

When not using a dimmer, connect black fixture wire to hot, white fixture wire to neutral and green fixture wire to ground. Leave all other wires capped individually.

8. Place all wiring and connectors back in electrical box and replace the electrical box's cover.
9. Twist-lock the electrical box to the trim assembly. Insert electrical box through ceiling cutout and hook driver onto frame (See **FIG. 10**). NOTE: Electrical box may be pre-installed prior to installation of ceiling.
10. Fold trim assembly mounting springs inward and insert trim assembly into ceiling cutout. Be sure once installed, trim assembly is flush and secure (See **FIG. 5 & 6**).

