

Fixture Type: _____

Catalog Number: _____

Project: _____

Location: _____

Chic

Pendant 3000K

Model & Size	Color Temp & CRI	Watt	LED Lumens	Delivered Lumens	Finish
PD-12006 6"	3000K 90	6.9W	500	227	BN Brushed Nickel

Example: **PD-12006-BN**

DESCRIPTION

Through the looking glass. LED light within a smoked glass pendant.

FEATURES

- Three 12" and one 6" downrods included
- Can be mounted on a sloped ceiling
- Driver conceals within the canopy
- Quick install canopy
- 5 Year warranty

SPECIFICATIONS

Color Temp:	3000K
Input:	120-277 VAC, 50/60Hz
CRI:	90
Dimming:	ELV: 100-10%, 0-10V: 100-5%, TRIAC: 100-5%
Rated Life:	50000 Hours
Standards:	ETL, cETL, Title 24: 2019 Damp Location Listed
Construction:	Aluminum hardware with opal and smoke glass diffuser

REPLACEMENT PARTS

- RPL-ROD-IN06-BNA - 6" rod - BN finish
- RPL-ROD-IN12-BNA - 12" rod - BN finish
- RPL-GLA-12006-OP - Opal glass
- RPL-GLA-12006-SM - Smoke glass

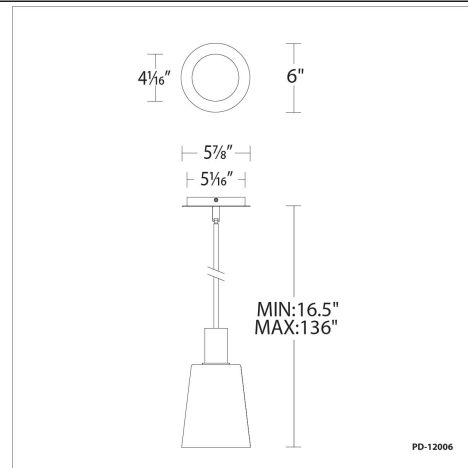


FINISHES



Brushed Nickel

LINE DRAWING



Fixture Type: _____

Catalog Number: _____

Project: _____

Location: _____

Chic

Pendant 3000K

Model & Size	Color Temp & CRI	Watt	LED Lumens	Delivered Lumens	Finish
PD-12015 15"	3000K 90	14W	1200	635	BN Brushed Nickel

Example: **PD-12015-BN**

DESCRIPTION

Through the looking glass. LED light within a smoked glass pendant.

FEATURES

- Three 12" and one 6" downrods included
- Can be mounted on a sloped ceiling
- Driver conceals within the canopy
- Quick install canopy
- 5 Year warranty

SPECIFICATIONS

Color Temp:	3000K
Input:	120-277 VAC, 50/60Hz
CRI:	90
Dimming:	ELV: 100-10%, 0-10V: 100-5%, TRIAC: 100-5%
Rated Life:	50000 Hours
Standards:	ETL, cETL, Title 24: 2019 Damp Location Listed
Construction:	Aluminum hardware with opal and smoke glass diffuser

REPLACEMENT PARTS

- RPL-ROD-IN06-BNA - 6" rod - BN finish
- RPL-ROD-IN12-BNA - 12" rod - BN finish
- RPL-GLA-12015-OP - Opal glass
- RPL-GLA-12015-SM - Smoke glass



FINISHES



Brushed Nickel

LINE DRAWING

