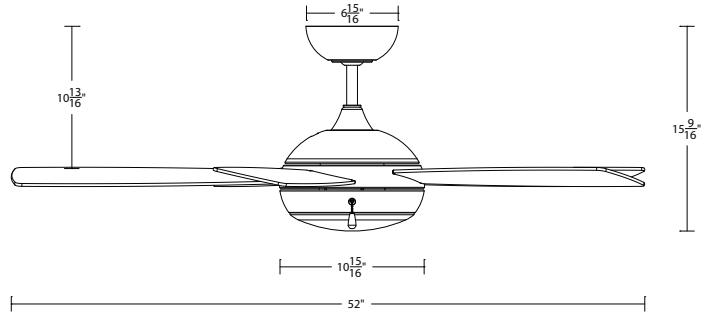


DISC II

F-033L

52" Ceiling Fan

WAC FANS LIMITED



PRODUCT DESCRIPTION

Make a statement with Disc II, an updated twist on a classic style. The bold, round shape of the body and smooth asymmetrical blades are accompanied by the familiar beaded fan speed and light chains, creating a model that is equal parts refreshing and recognizable.

FEATURES

- 3 fan speeds
- Damp rated
- Silent DC motor
- Pull chain operation
- Fan is reversible from housing
- Dimmable using 0-10v dimmer

AIRFLOW/ENERGY EFFICIENCY

Weighted-Average Airflow CFM:	4122/6872 (High)
Energy Use (W):	17/36 (High)
Estimated Yearly Energy Cost (\$):	5
Efficiency (CFM/W):	241/207 (High)
Max RPM:	158

ORDER NUMBER

Model	Housing	Blade
F-033L	BN <i>Brushed Nickel Matte</i>	TT <i>Titanium Silver</i>
	MB <i>Black</i>	MB <i>Matte Black</i>
	MW <i>Matte White</i>	MW <i>Matte White</i>

F-033L-__

Example: F-033L-MB

SPECIFICATIONS

Construction:	Steel , Plywood
Blade:	12° Pitch, 52" sweep
Downrod:	3/4"W X 4.5"H included
Mounting Slope:	Up to 30°
Wire:	80"
Hanging Weight:	18 lbs
Total Power:	52W
Standards:	Title 24 Compliant, Title 20 Compliant, Energy Star Rated, ETL, C-ETL
Moter Type:	DC-120 x 15

LUMINAIRE PERFORMANCE

Light Source:	LED
Light Wattage:	25W
Lumens/Delivered Lumens:	2100/1410
Dimming:	0-10v
CRI:	90
Color Temperature:	3000K
Rated Life:	50,000 hours

wacighting.com
Phone (800) 526.2588
Fax (800) 526.2585

Headquarters/Eastern Distribution Center
44 Harbor Park Drive
Port Washington, NY 11050

Central Distribution Center
1600 Distribution Ct
Lithia Springs, GA 30122




Western Distribution Center
1750 Archibald Avenue
Ontario, CA 91760

DISC II

F-033L 52"

Ceiling Fan

OPTIONAL ACCESSORIES

Downrod		DR12- 12IN DR18- 18IN DR24- 24IN DR36- 36IN DR48- 48IN DR60- 60IN DR72- 72IN	BN Brushed Nickel MB Matte Black MW Matte White	All our downrods are 1" O.D. and are threaded on the motor end to create an extra layer of security and allow for adjustments in the field.
Downrod Couplers		DC-		Connects two downrods together.
Sloped Ceiling Kit		SC-		Designed to accommodate buildings with steeper sloped ceilings up to 45° or 12/12 pitch.

Examples: Downrod - **DR12-BN**, Downrod Coupler - **DC-MB**, Sloped Ceiling Kit - **SC-MW**

SUGGESTED DOWNROD HEIGHT USAGE

Ceiling Height	15'	14'	13'	12'	11'	10'	9'
Downrod	72"	60"	48"	36"	24"	18"	12"

SLOPED CEILING DEGREE CONVERSION CHART

Degree	4-8°	9-13o	14-17o	18-21o	22-25o	26-29o	30-32o	33-35o	36-38o	39-41o	42-44o	45o
Ceiling Slope	1/12	2/12	3/12	4/12	5/12	6/12	7/12	8/12	9/12	10/12	11/12	12/12
Pitch	pitch	pitch	pitch	pitch	pitch	pitch	pitch	pitch	pitch	pitch	pitch	pitch

Supplied mounting brackets allow mounting on ceiling slopes up to 30° (7/12 pitch). Optional slope kit allows mounting on ceilings up to 45° (12/12 pitch). The receiver will mount inside canopy up to 45°.

NOTE: Recommended maximum downrod length of 72" with 80" lead wire