

INSTALLATION INSTRUCTION
H Track Current Limiter Single Live End
THL-HLE

WAC LIGHTING
Responsible Lighting®

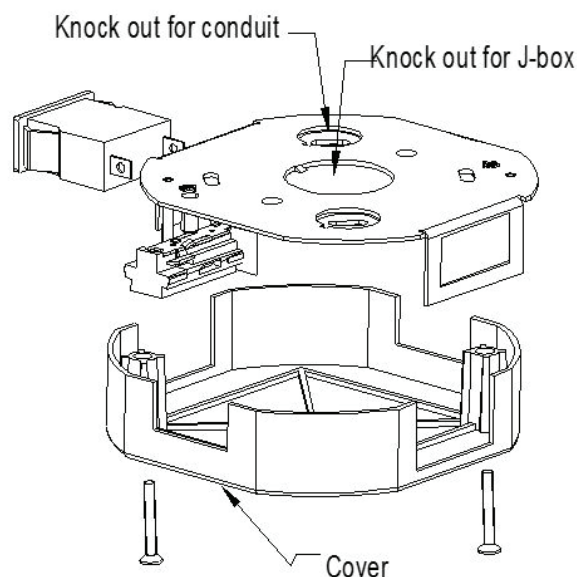
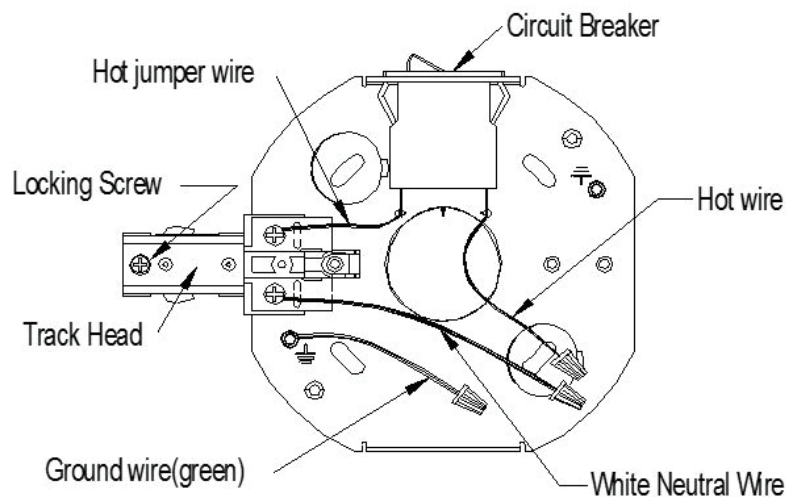
For connecting WAC Line Connector THL-HLE to a 4" junction box, or conduit from a solid or grid runner ceiling

SAFETY INSTRUCTION

- Please read through the entire Instruction prior to installation.
- Installation must conform to this instruction, and in accordance with National Electrical Code, and local code authority.
- Turn off electrical supply before installing any rack, or track device.
- Limit circuit load using appropriate WAC breaker.
- Device is not intended to be used as a conduit support. Independent conduit support is required.

ELECTRICAL CONNECTIONS

- Silver terminal is neutral.
- Connector is polarized. Do not cross factory install Jumper leads between tracks.
Jumper wires may be removed if not required.
- Connector Rating =20Amps per circuit. 120/240v Single phase, 3 wires with grounded neutral, 60Hz.
- All wiring to terminals of circuit breaker and track feeds are factory installed. Pigtail leads are provided for splicing to field installed supply wires.



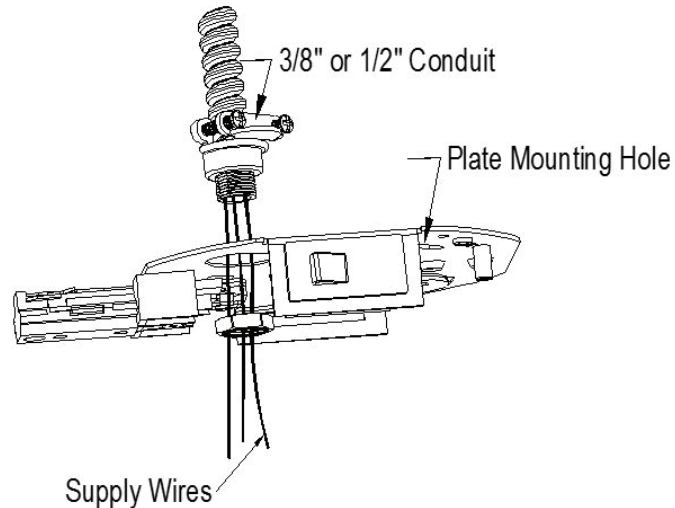
WAC Lighting
www.waclighting.com
Phone (800) 526.2588 • Fax (800) 526.2585

Headquarters/Eastern Distribution Center
44 Harbor Park Drive • Port Washington, NY 11050
Phone (516) 515.5000 • Fax (516) 515.5050

Western Distribution Center
1750 Archibald Ave • Ontario, CA 91761
Phone (800) 526.2588 • Fax (800) 526.2585

A: INSTALLING POWER LIMITER TO CONDUIT OR GRID RUNNER CEILING

1. Mark the centerline of the Plate in relationship to the track and ceiling or Grid Runner.
2. Remove Cover.
3. Remove appropriate knockout in Top Plate, and feed 3/8" or 1/2" Conduit and Supply leads into Top Plate. Fasten Conduit to top plate.
4. Mount Plate to ceiling using two plate mounting holes. (Hardware by others)
5. Attach wires per electrical connection instructions.
6. Attach track to top plate keeping polarity consistent between track and switch. (Silver Contact terminal is neutral). Ensure all 3 contact plates are properly inserted into individual track circuits.
7. Replace Cover.



B: INSTALLING POWER LIMITER TO 4\"

NOTE: CENTER OF TRACK MUST COINCIDE WITH CENTER OF J-BOX

1. Remove Round Knockout in the center of Power Limiter Plate.
2. Feed Supply wires through knockout hole, and fasten Power Limiter Plate to j-Box. Secure plate using (2) screws.
3. Attach wires per electrical connection instructions.
4. Attach Track to Power Limiter. Be sure to check for proper polarity between track and switch. Also ensure all 3 contact plates are properly inserted into each individual track circuit.
5. Replace Cover.

