

INSTALLATION INSTRUCTION

Vibe - dwelLED™ LED Picture Lights

PL-LED15-27, PL-LED25-27, PL-LED37-27

WAC LIGHTING

Responsible Lighting®

WARNING

IMPORTANT: NEVER attempt any work without shutting off the electricity.

- Read all instructions before installing.
- System is intended for installation by a qualified electrician in accordance with the National Electrical Code and local regulations.
- Place the wall switch in the "OFF" position.
- Go to the main fuse box, or circuit breaker. Place the main power switch in the "OFF" position and unscrew the fuse(s) or switch "OFF" the circuit breaker switch(es) that control the power to the fixture or room that you are working on.

CAUTION

- All parts must be used as indicated in these instructions. Do not substitute any parts, leave parts out, or use any parts that are worn out or broken. Failure to follow this instruction could invalidate the ETL/CETL listing of this fixture. CAUTION When handling the fixture, do not apply pressure to the LEDs. Hold the fixture by the base only.

AVERTISSEMENT

IMPORTANT : Coupez l'électricité avant TOUTE manipulation.

- Lisez toutes les instructions avant d'installer.
- Système est destiné à être installé par un électricien qualifié en conformité avec le code national de l'électricité et les règlements locaux.
- Placez l'interrupteur mural en position d'arrêt (« OFF »).
- Toujours mettre le fusible ou le disjoncteur en position arrêt dans la pièce ou des travaux électriques sont prévus.

MISE EN GARDE

- Toutes les pièces doivent être utilisées tel qu'il est indiqué dans ces instructions. Ne remplacez pas les pièces, n'en laissez pas de côté et ne les utilisez pas si elles sont usées ou brisées. Le non-respect de ces instructions peut annuler l'homologation ETL/CETL du luminaire. MISE EN GARDE Ors de la manipulation de l'appareil, ne pas appliquer de pression à la LED, tenir l'appareil par la seule base.

ADVERTENCIA

IMPORTANTE: NUNCA intente hacer trabajos sin desconectar el suministro eléctrico.

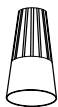
- Lea y comprenda todas las instrucciones e ilustraciones por completo antes de proceder con el ensamblaje e instalación de esta lámpara.
- Sistema está diseñado para ser instalado por un electricista calificado, de acuerdo con el código eléctrico nacional y las normas locales.
- Coloque el interruptor de la pared en la posición "OFF" (APAGADO).
- Diríjase a la caja de fusibles o a la caja del interruptor de circuito principal en su hogar. Coloque el interruptor de alimentación principal en la posición "OFF" (APAGADO).

PRECAUCIÓN

- Todas las piezas deben usarse como lo indican estas instrucciones. No reemplace las piezas, no omita piezas durante la instalación ni utilice piezas gastadas o rotas. El incumplimiento de esta indicación podría invalidar la calificación ETL/CETL esta lámpara. PRECAUCIÓN Al manipular el aparato, no aplique presión a los LED, mantenga el aparato en la base sólo.

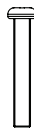
HARDWARE

A1



Wire Connector
Qty: 3

B1



Junction Box Screw
Qty: 2 + 1 Extra

C1



Fixture Screw
Qty: 4

H1



Fixture Adjust Screw
Qty: 4

J1



Allen Wrench
Qty: 1

WAC Lighting

www.waclighting.com

Phone (800) 526.2588 • Fax (800) 526.2585

Headquarters/Eastern Distribution Center

44 Harbor Park Drive • Port Washington, NY 11050

Phone (516) 515.5000 • Fax (516) 515.5050

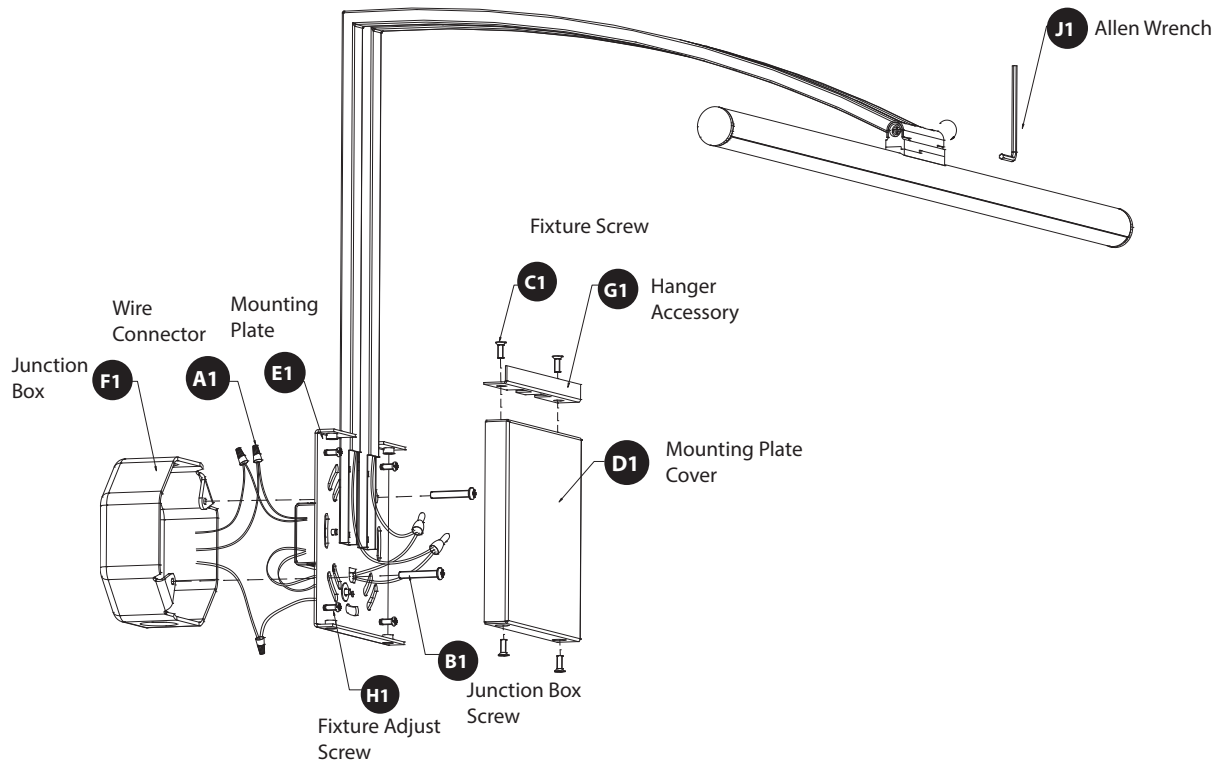
Western Distribution Center

1750 Archibald Ave • Ontario, CA 91761

Phone (800) 526.2588 • Fax (800) 526.2585

INSTALLATION INSTRUCTION
Vibe - dwelLED™ LED Picture Lights
 PL-LED15-27, PL-LED25-27, PL-LED37-27

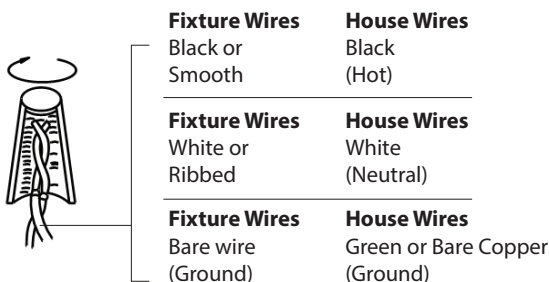
WAC LIGHTING
 Responsible Lighting®



INSTALLATION

1. Shut off the power at the circuit breaker and remove existing fixture, including the crossbar.
2. Carefully unpack your new fixture and lay out all the parts on a clear area. Be careful not to lose any small parts necessary for installation.
3. Connect the electrical wires as shown in Fig. 2, making sure that all wire connectors (A1) are secured. Fixture and junction box ground wires should be connected to mounting plate using green screw provided. After wires are connected, tuck them carefully inside the junction box.
4. Remove mounting plate (D1) from fixture and secure to the junction Box (F1) using junction box screws (B1).
5. Use allen wrench (J1) to loosen the two allen screws a little. Rotate the fixture head to the right angle. Re-tighten the allen screws to secure/lock the head in place.

Fig.2 Wiring



WAC Lighting
 www.waclighting.com
 Phone (800) 526.2588 • Fax (800) 526.2585

Headquarters/Eastern Distribution Center
 44 Harbor Park Drive • Port Washington, NY 11050
 Phone (516) 515.5000 • Fax (516) 515.5050

Western Distribution Center
 1750 Archibald Ave • Ontario, CA 91761
 Phone (800) 526.2588 • Fax (800) 526.2585

INSTALLATION INSTRUCTION

Vibe - dwelLED™ LED Picture Lights

PL-LED15-27, PL-LED25-27, PL-LED37-27

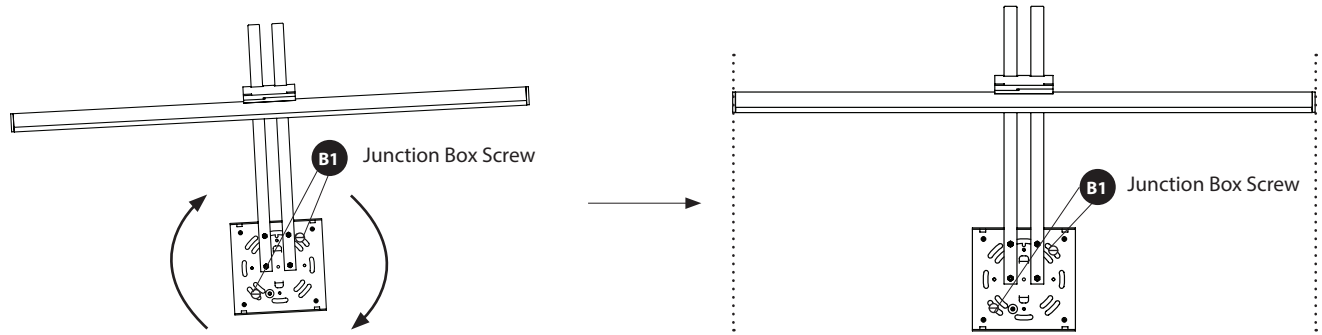
WAC LIGHTING
Responsible Lighting®

5. FIXTURE ADJUSTMENT

To adjust fixture head up and down **Fig.3**

- Loosen the two junction box screws (B1)
- Adjust fixture head to ensure it is parallel to the ground
- Re-tighten junction box screws (B1)

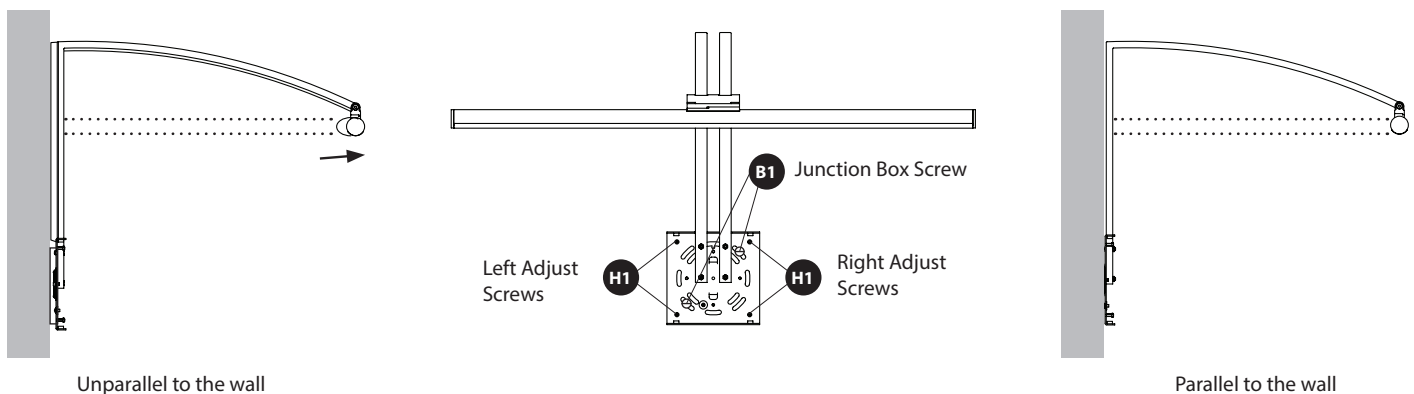
Fig.3



To adjust fixture head in and out **Fig.4**

- Loosen the two junction box screws (B1)
- Adjust the four corner fixture adjust screws (H1) to ensure it is parallel to the wall.
Loosen the left two adjust screws and tighten the right two adjust screws, (or reverse) to make sure the fixture is parallel to the wall.
- Re-tighten junction box screws (B1)

Fig.4



6. Re-attach canopy (D1) and hanger accessory (G1) using screws (C1).
If hanger accessory is not needed, it can be removed.

WAC Lighting
www.waclighting.com
Phone (800) 526.2588 • Fax (800) 526.2585

Headquarters/Eastern Distribution Center
44 Harbor Park Drive • Port Washington, NY 11050
Phone (516) 515.5000 • Fax (516) 515.5050

Western Distribution Center
1750 Archibald Ave • Ontario, CA 91761
Phone (800) 526.2588 • Fax (800) 526.2585

INSTALLATION INSTRUCTION

Vibe - dwelLED™ LED Picture Lights

PL-LED15P-27, PL-LED25P-27, PL-LED37P-27 (Portable)

WAC LIGHTING

Responsible Lighting®

WARNING

IMPORTANT: NEVER attempt any work without shutting off the electricity.

- Read all instructions before installing.
- System is intended for installation by a qualified electrician in accordance with the National Electrical Code and local regulations.
- Place the wall switch in the "OFF" position.
- Go to the main fuse box, or circuit breaker. Place the main power switch in the "OFF" position and unscrew the fuse(s) or switch "OFF" the circuit breaker switch(es) that control the power to the fixture or room that you are working on.

CAUTION

- All parts must be used as indicated in these instructions. Do not substitute any parts, leave parts out, or use any parts that are worn out or broken. Failure to follow this instruction could invalidate the ETL/CETL listing of this fixture. CAUTION When handling the fixture, do not apply pressure to the LEDs. Hold the fixture by the base only.

AVERTISSEMENT

IMPORTANT : Coupez l'électricité avant TOUTE manipulation.

- Lisez toutes les instructions avant d'installer.
- Système est destiné à être installé par un électricien qualifié en conformité avec le code national de l'électricité et les règlements locaux.
- Placez l'interrupteur mural en position d'arrêt (« OFF »).
- Toujours mettre le fusible ou le disjoncteur en position arrêt dans la pièce ou des travaux électriques sont prévus.

MISE EN GARDE

- Toutes les pièces doivent être utilisées tel qu'il est indiqué dans ces instructions. Ne remplacez pas les pièces, n'en laissez pas de côté et ne les utilisez pas si elles sont usées ou brisées. Le non-respect de ces instructions peut annuler l'homologation ETL/CETL du luminaire. MISE EN GARDE Ors de la manipulation de l'appareil, ne pas appliquer de pression à la LED, tenir l'appareil par la seule base.

ADVERTENCIA

IMPORTANTE: NUNCA intente hacer trabajos sin desconectar el suministro eléctrico.

- Lea y comprenda todas las instrucciones e ilustraciones por completo antes de proceder con el ensamblaje e instalación de esta lámpara.
- Sistema está diseñado para ser instalado por un electricista calificado, de acuerdo con el código eléctrico nacional y las normas locales.
- Coloque el interruptor de la pared en la posición "OFF" (APAGADO).
- Diríjase a la caja de fusibles o a la caja del interruptor de circuito principal en su hogar. Coloque el interruptor de alimentación principal en la posición "OFF" (APAGADO).

PRECAUCIÓN

- Todas las piezas deben usarse como lo indican estas instrucciones. No reemplace las piezas, no omita piezas durante la instalación ni utilice piezas gastadas o rotas. El incumplimiento de esta indicación podría invalidar la calificación ETL/CETL esta lámpara. PRECAUCIÓN Al manipular el aparato, no aplique presión a los LED, mantenga el aparato en la base sólo.

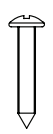
HARDWARE

A1



Mounting Anchor
Qty: 5 + 1 Extra

B1



Mounting Screw
Qty: 5 + 1 Extra

C1



Allen Wrench
Qty: 1

G1



Fixture Screw
Qty: 4

WAC Lighting

www.waclighting.com

Phone (800) 526.2588 • Fax (800) 526.2585

Headquarters/Eastern Distribution Center

44 Harbor Park Drive • Port Washington, NY 11050

Phone (516) 515.5000 • Fax (516) 515.5050

Western Distribution Center

1750 Archibald Ave • Ontario, CA 91761

Phone (800) 526.2588 • Fax (800) 526.2585

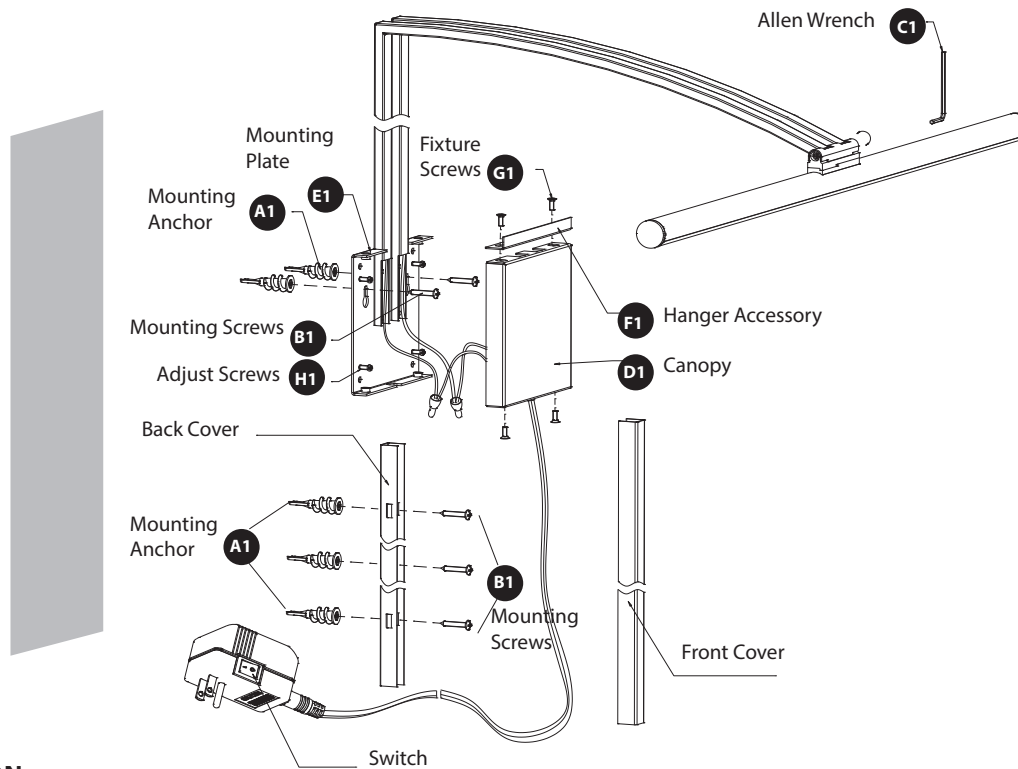
INSTALLATION INSTRUCTION

Vibe - dwelLED™ LED Picture Lights

PL-LED15P-27, PL-LED25P-27, PL-LED37P-27 (Portable)

WAC LIGHTING

Responsible Lighting®



PREPARATION

- Carefully unpack your new fixture and lay out all the parts on a clear area. Be careful not to lose any small parts necessary for installation.
- This portable lamp has a polarized plug (one blade is wider than the other) as a safety feature to reduce the risk of electric shock. This plug will fit a polarized outlet only one way. If the plug does not fit fully in the outlet, reverse the plug. If it still does not fit, contact a qualified electrician. Never use with an extension cord unless the plug can be fully inserted. Do not change or alter the plug.

INSTALLATION

1. Remove canopy (D1) from fixture by removing screws (G1).
2. Drill the holes in the proper position on the wall according to the "Keyholes" located on the mounting plate (E1).
3. Install mounting anchor (A1) into the wall and then install mounting screw (B1) into mounting anchor (A1).
4. Hang mounting plate (E1) with fixture attached onto mounting screws (B1) and tighten screws until mounting plate is properly secured to the wall.
5. Place the canopy (D1) over the mounting plate (E1) and secure it and the picture hanger to the mounting plate using screws (G1). If accessory hanger (F1) is not needed, it can be discarded.
6. To cover the cord wire, drill the holes at their correct locations on the wall according the cord location. Install the mounting anchor (A1) then secure the cord cover bracket to the wall using mounting screws (B1).
7. Place the cord into the back cover bracket and snap the front cord cover over the back bracket.
8. Use allen wrench (C1) to loosen the two allen screws a little. Rotate the fixture head to the right angle. Re-tighten the allen screws to secure/lock the head in place.

Fig.2 Wiring



Fixture Wires	House Wires
Black or Smooth	Black (Hot)
White or Ribbed	White (Neutral)
Bare wire (Ground)	Green or Bare Copper (Ground)

WAC Lighting
www.waclighting.com
Phone (800) 526.2588 • Fax (800) 526.2585

Headquarters/Eastern Distribution Center
44 Harbor Park Drive • Port Washington, NY 11050
Phone (516) 515.5000 • Fax (516) 515.5050

Western Distribution Center
1750 Archibald Ave • Ontario, CA 91761
Phone (800) 526.2588 • Fax (800) 526.2585

INSTALLATION INSTRUCTION

Vibe - dwelLED™ LED Picture Lights

PL-LED15P-27, PL-LED25P-27, PL-LED37P-27 (Portable)

WAC LIGHTING

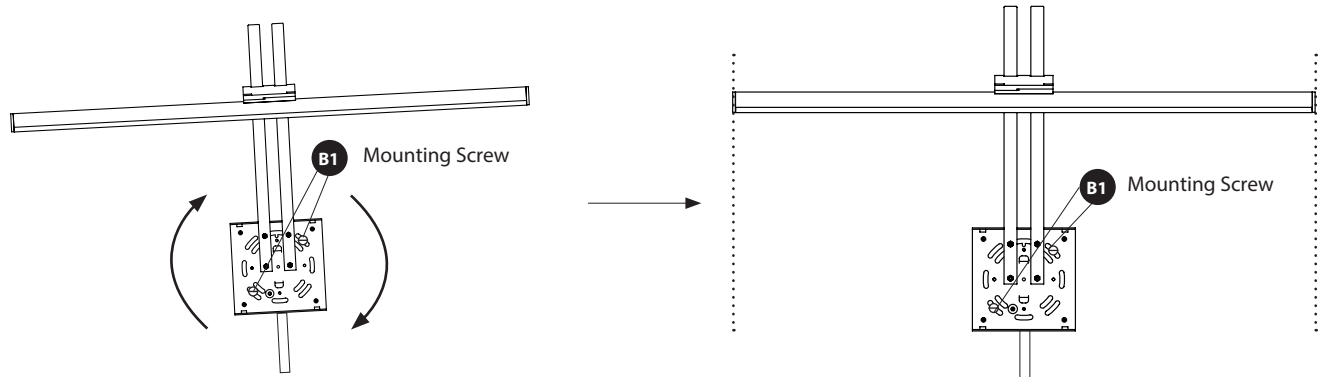
Responsible Lighting®

5. FIXTURE ADJUSTMENT

To adjust fixture head up and down **Fig.3**

- Loosen the two mounting screws (B1)
- Adjust fixture head to ensure it is parallel to the ground
- Re-tighten mounting screws (B1)

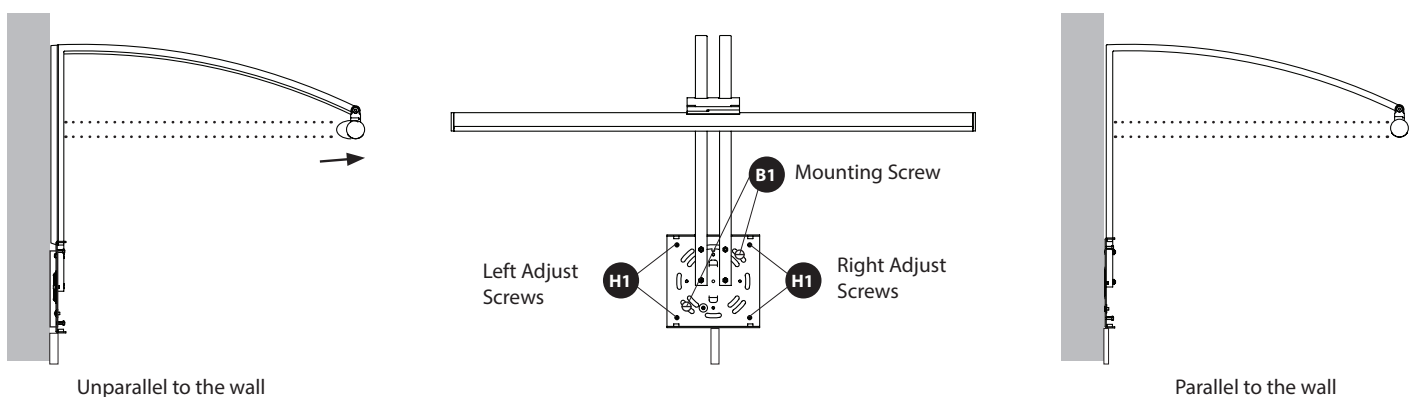
Fig.3



To adjust fixture head in and out **Fig.4**

- Loosen the two mounting screws (B1)
- Adjust the four corner fixture adjust screws (H1) to ensure it is parallel to the wall.
Loosen the left two adjust screws and tighten the right two adjust screws, (or reverse) to make sure the fixture is parallel to the wall.
- Re-tighten mounting screws (B1)

Fig.4



6. Re-attach canopy (D1) and hanger accessory (F1) using screws (C1).
If hanger accessory is not needed, it can be removed.

WAC Lighting
www.waclighting.com
Phone (800) 526.2588 • Fax (800) 526.2585

Headquarters/Eastern Distribution Center
44 Harbor Park Drive • Port Washington, NY 11050
Phone (516) 515.5000 • Fax (516) 515.5050

Western Distribution Center
1750 Archibald Ave • Ontario, CA 91761
Phone (800) 526.2588 • Fax (800) 526.2585