

**INSTALLATION INSTRUCTION**  
**877 - LED Pendant**  
 PD-87720, PD-87723, PD-87735

**WAC LIGHTING**  
 Responsible Lighting®

**WARNING**

IMPORTANT: NEVER attempt any work without shutting off the electricity.

- Read all instructions before installing.
- System is intended for installation by a qualified electrician in accordance with the National Electrical Code and local regulations.
- Go to the main fuse box, or circuit breaker. Place the main power switch in the "OFF" position and unscrew the fuse(s) or switch "OFF" the circuit breaker switch(es) that control the power to the fixture or room that you are working on.
- Place the wall switch in the "OFF" position.

**CAUTION**

- All parts must be used as indicated in these instructions. Do not substitute any parts, leave parts out, or use any parts that are worn out or broken. Failure to follow this instruction could invalidate the ETL/CETL listing of this fixture.
- CAUTION When handling the fixture, do not apply pressure to the LEDs. Hold the fixture by the base only.

**AVERTISSEMENT**

IMPORTANT : Coupez l'électricité avant TOUTE manipulation.

- Lisez toutes les instructions avant d'installer.
- Système est destiné à être installé par un électricien qualifié en conformité avec le code national de l'électricité et les règlements locaux.
- Accédez au panneau central de disjoncteurs ou de fusibles de votre demeure et placez l'interrupteur principal en position d'arrêt (« OFF »).
- Placez l'interrupteur mural en position d'arrêt (« OFF »).

**MISE EN GARDE**

- Toutes les pièces doivent être utilisées tel qu'il est indiqué dans ces instructions. Ne remplacez pas les pièces, n'en laissez pas de côté et ne les utilisez pas si elles sont usées ou brisées. Le non-respect de ces instructions peut annuler l'homologation ETL/CETL du luminaire. MISE EN GARDE Ors de la manipulation de l'appareil, ne pas appliquer de pression à la LED, tenir l'appareil par la seule base.

**ADVERTENCIA**

IMPORTANTE: NUNCA intente hacer trabajos sin desconectar el suministro eléctrico.

- Lea y comprenda todas las instrucciones e ilustraciones por completo antes de proceder con el ensamblaje e instalación de esta lámpara.
- Sistema está diseñado para ser instalado por un electricista calificado, de acuerdo con el código eléctrico nacional y las normas locales.
- Diríjase a la caja de fusibles o a la caja del interruptor de circuito principal en su hogar. Coloque el interruptor de alimentación principal en la posición "OFF" (APAGADO).
- Coloque el interruptor de la pared en la posición "OFF" (APAGADO).

**PRECAUCIÓN**

- Todas las piezas deben usarse como lo indican estas instrucciones. No reemplace las piezas, no omita piezas durante la instalación ni utilice piezas gastadas o rotas. El incumplimiento de esta indicación podría invalidar la calificación ETL/CETL esta lámpara. PRECAUCIÓN Al manipular el aparato, no aplique presión a los LED, mantenga el aparato en la base sólo.

**HARDWARE**

**A**



Wire Connector  
 Qty: 3pcs+1 Extra  
 P3

**B**



Junction Box Screw  
 Qty: 2pcs+1 Extra  
 8#-32x13/16  
 Nickel Plating

**C**



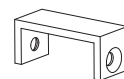
Mounting Screw  
 Qty:1 Extra  
 5/32"-32x1/2  
 Chrome Plating(CH)  
 White Painting(WT)

**D**



Screw  
 Qty:1 Extra  
 M3x5  
 Chrome Plating(CH)  
 White Painting(WT)

**E**



Optional Metal Cap  
 Qty:1 Extra  
 Chrome Plating(CH)  
 White Painting(WT)

waclighting.com  
 Phone (800) 526.2588  
 Fax (800) 526.2585

Headquarters/Eastern Distribution Center  
 44 Harbor Park Drive  
 Port Washington, NY 11050

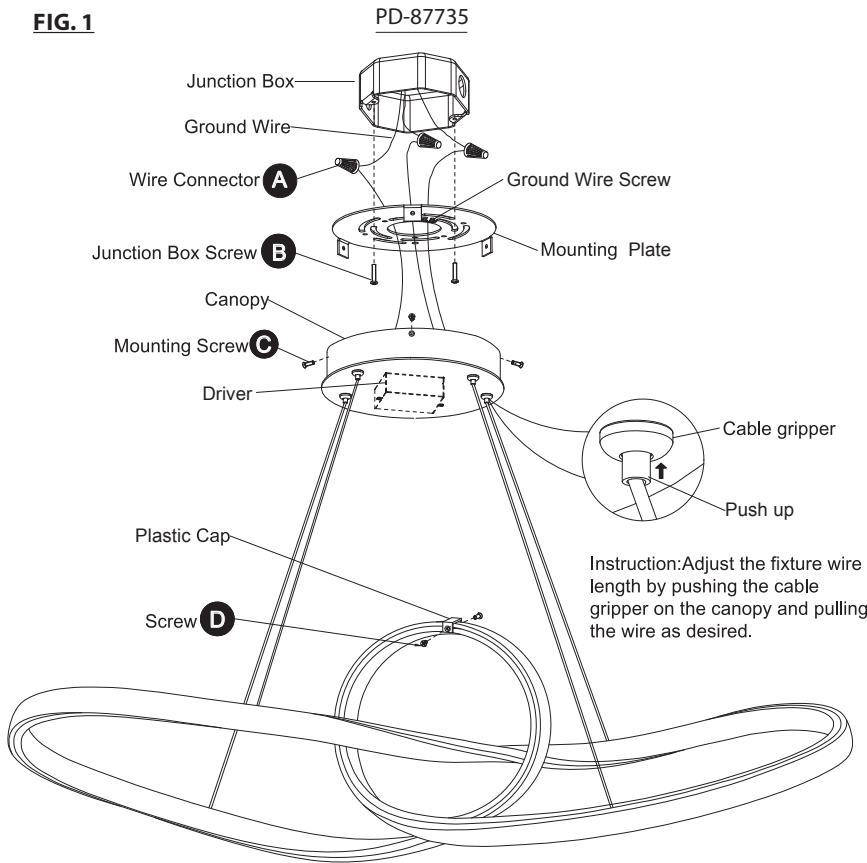
Central Distribution Center  
 1600 Distribution Ct  
 Lithia Springs, GA 30122

Western Distribution Center  
 1750 Archibald Avenue  
 Ontario, CA 91760



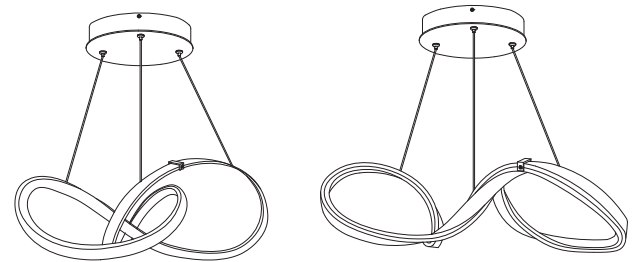
**INSTALLATION INSTRUCTION**  
**877 - LED Pendant**  
 PD-87720, PD-87723, PD-87735

**FIG. 1**

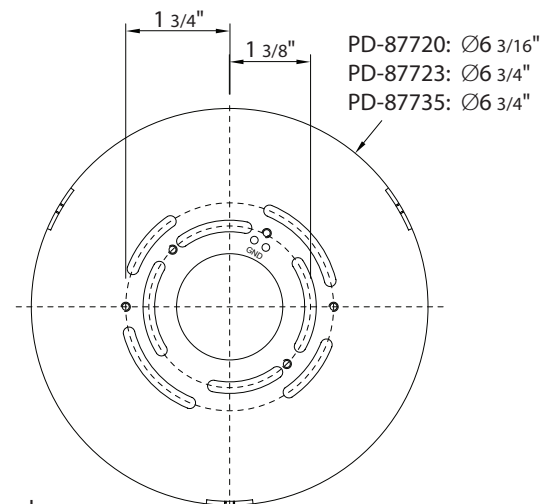


**PD-87720**

**PD-87723**



**Back Plate Dimensions**



**PREPARATION**

1. Shut off the power at the circuit breaker and remove existing fixture, including the crossbar.
2. Carefully unpack your new fixture and lay out all the parts on a clear area. Be careful not to lose any small parts necessary for installation.

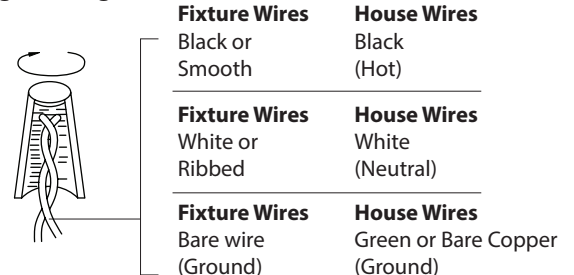
**CONNECTING THE WIRES (Fig. 2)**

3. Remove the mounting screw (C) from the canopy.
4. Secure the mounting back plate to the junction box using junction box screws (B). The side of the mounting back plate marked "GND" must face out.
5. Adjust the fixture wire length by pushing the cable gripper on the canopy and pulling the wire as desired. Make sure the wires are the same length.
  - a. Retract these wires close to a desirable length to within the canopy before securing the fixture in place. Using the cable gripper to adjust more than 18" of wire length is not desirable.
  - b. Warning: Shortening these cables without professional help or electronic background is not advisable. Any modifications to the fixture will result in voiding the warranty of the product.
6. Connect the Driver's input wires to junction box wires as shown in Fig. 2, making sure that all wire connectors (A) are secured. If your outlet box has a green or bare copper ground wire, connect the fixture's ground wire to it. Otherwise, connect the fixture's ground wire directly to the back plate using the green screw provided. After wires are connected, tuck them carefully inside the junction box.

**MOUNTING THE FIXTURE (Fig. 1)**

7. Secure the canopy to the mounting plate using the mounting screws (C).
8. There is an optional metal clip in the hardware bag, remove the screw (D) to replace the plastic clip, secure the metal clip with screw (D).

**Fig. 2 Wiring**



wacighting.com  
 Phone (800) 526.2588  
 Fax (800) 526.2585

Headquarters/Eastern Distribution Center  
 44 Harbor Park Drive  
 Port Washington, NY 11050

Central Distribution Center  
 1600 Distribution Ct  
 Lithia Springs, GA 30122

Western Distribution Center  
 1750 Archibald Avenue  
 Ontario, CA 91760

